

FUJI SERVO SYSTEM
ALPHA5



SIMPLE & SMART

ALPHA5

Line of products of ALPHA5 Series

Servo Amplifier

Model	Command interface					Control mode				Power supply	Capacity	Type	Applicable motor series	
	Pulse/analog	Di/Do	Modbus-RTU	SX bus	E-SX bus	Positioning	Position	Speed	Torque					
 General-purpose interface	VV type	●	●	●			●	●	●	●	Single-phase or 3-phase 200 to 240 VAC	0.05 to 0.75kW	RYT***□5-VV2	GYS GYC GYG GYB GYH
											3-phase 200 to 240 VAC	0.85 to 5.0kW		
											Single-phase 100 to 120 VAC	0.05 to 0.375kW	RYT***□5-VV6	GYS
 Ultra high-speed serial bus (E-SX bus)	VE type				●		●	●	●	Single-phase or 3-phase 200 to 240 VAC	0.05 to 0.75kW	RYT***□5-VE2 RYT***□5-LE2	GYS GYC GYG GYB GYH	
	LE type				●	●	●			3-phase 200 to 240 VAC	0.85 to 5.0kW			
 High speed serial bus (SX bus)	VS type			●		●	●	●	●	Single-phase or 3-phase 200 to 240 VAC	0.05 to 0.75kW	RYT***□5-VS2 RYT***□5-LS2	GYS GYC GYG GYB GYH	
										3-phase 200 to 240 VAC	0.85 to 5.0kW			
	LS type				●		●	●			Single-phase 100 to 120 VAC	0.05 to 0.375kW	RYT***□5-VS6 RYT***□5-LS6	GYS

CONTENTS

Features	2
Explanation of Model Codes	10
Specifications of Servo Amplifier	11
Connection Diagram (Reference)	15
Specifications of Servomotor	18
Option/Peripheral Equipment	26

External Dimensions	28
Model List	39
Service Network	45
Product Warranty	46

Next generation servo system for ever-evolving machines

Servomotor

Model	Rated speed (max. speed)	Power supply	Rated output capacity	Servomotor type		Protective construction	Encoder	Type
				Without brake	With brake			
 GYS motor Ultra-low inertia	3000r/min (0.75kW or less: 6000r/min 1.0kW or more: 5000r/min)	200V series	11 types 0.05 to 5.0kW	●	●	IP67 *1	18-bit ABS	GYS***D5-HB2(-B) *2
							20-bit INC	GYS***D5-RB2(-B) *2
		100V series	4 types 0.05 to 0.375kW	●	●	IP67 *1	18-bit ABS	GYS***D5-HB6(-B) *2
							20-bit INC	GYS***D5-RB6(-B) *2
 GYC motor Low inertia	3000r/min (0.75kW or less: 6000r/min 1.0kW or more: 5000r/min)	200V series	7 types 0.1 to 2.0kW	●	●	IP67 *1	18-bit ABS	GYC***D5-HB2(-B) *2
							20-bit INC	GYC***D5-RB2(-B) *2
 GYG motor Medium inertia	2000r/min (3000r/min)	200V series	5 types 0.5 to 2.0kW	●	●	IP67 *1	18-bit ABS	GYG***C5-HB2(-B) *2
							20-bit INC	GYG***C5-RB2(-B) *2
 GYG motor Medium inertia	1500r/min (3000r/min)	200V series	3 types 0.5, 0.85, 1.3kW	●	●	IP67 *1	18-bit ABS	GYG***B5-HB2(-B) *2
							20-bit INC	GYG***B5-RB2(-B) *2
 GYB motor Medium inertia	3000r/min (6000r/min*3)	200V series	3 types 0.2, 0.4, 0.75kW	●	●	IP67 *1	18-bit ABS	GYG***D5-HB2(-B) *2
							20-bit INC	GYG***D5-RB2(-B) *2
 GYH motor Medium inertia	2000r/min (2500r/min)	200V series	7 types 1.0 to 7.0kW	●	●	IP67 *1	17-bit INC	GYH***C6-TC(-B) *2

*1: Except for shaft-through part (Also except connectors for GYS and GYC motors of 0.75kW or less and all GYB motors).

*2: Models with a brake has "-B" at the end.

*3: The maximum rotation speed is 5000r/min when using the motor with Fuji's gear head.

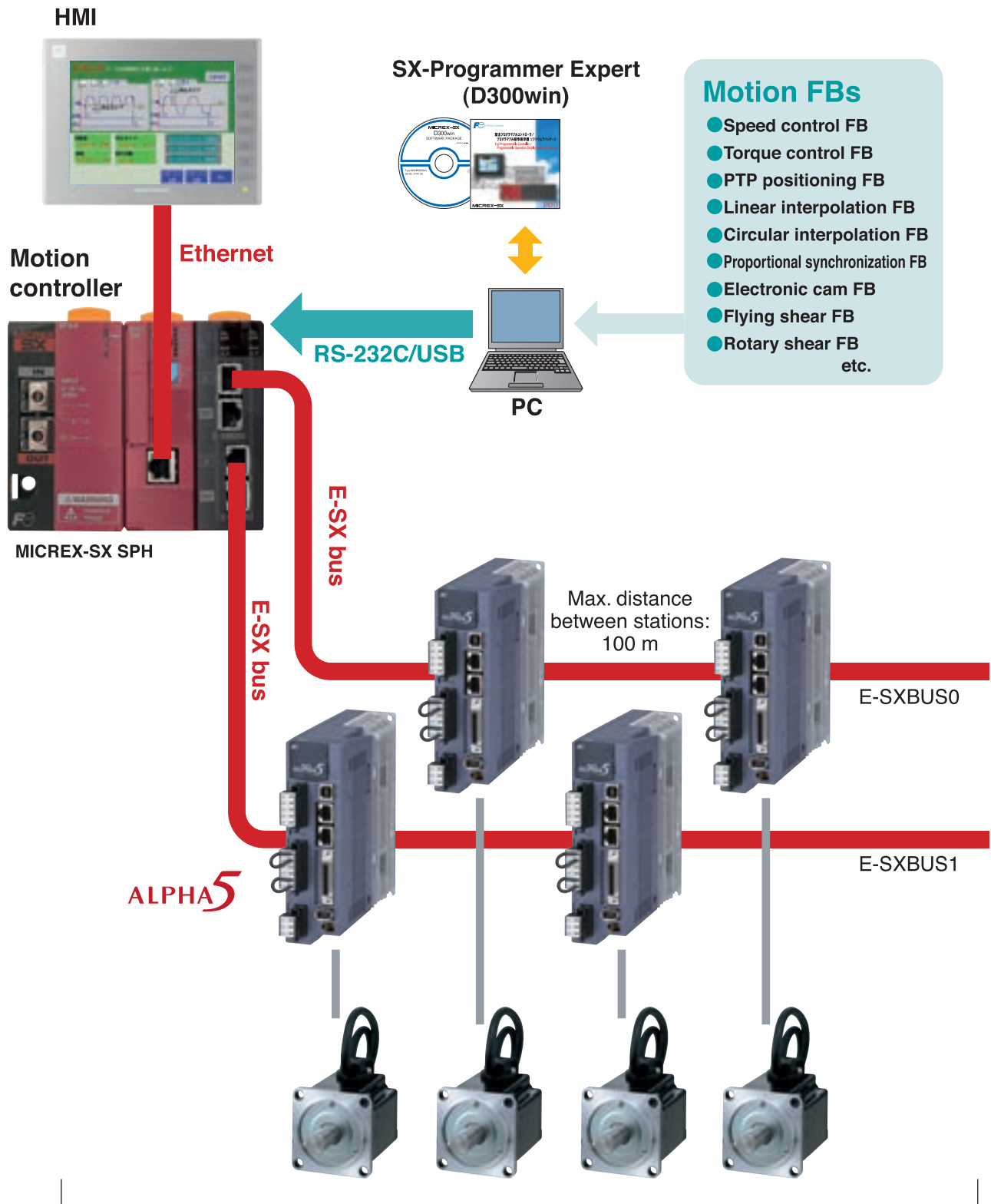
E-SX bus compatibility: VE type, LE type

Precision synchronous, large-scale motion control systems can be constructed with ease.
 (Refer to catalog [24C1-J-0086] for details on motion control systems.)

Transmission speed: 100 Mbps

Max. number of connectable units: 238 (synchronous operation of 476 units possible if using SPH3000MMD2)

Max. speed control cycle: 0.25 ms (with 4 units connected)

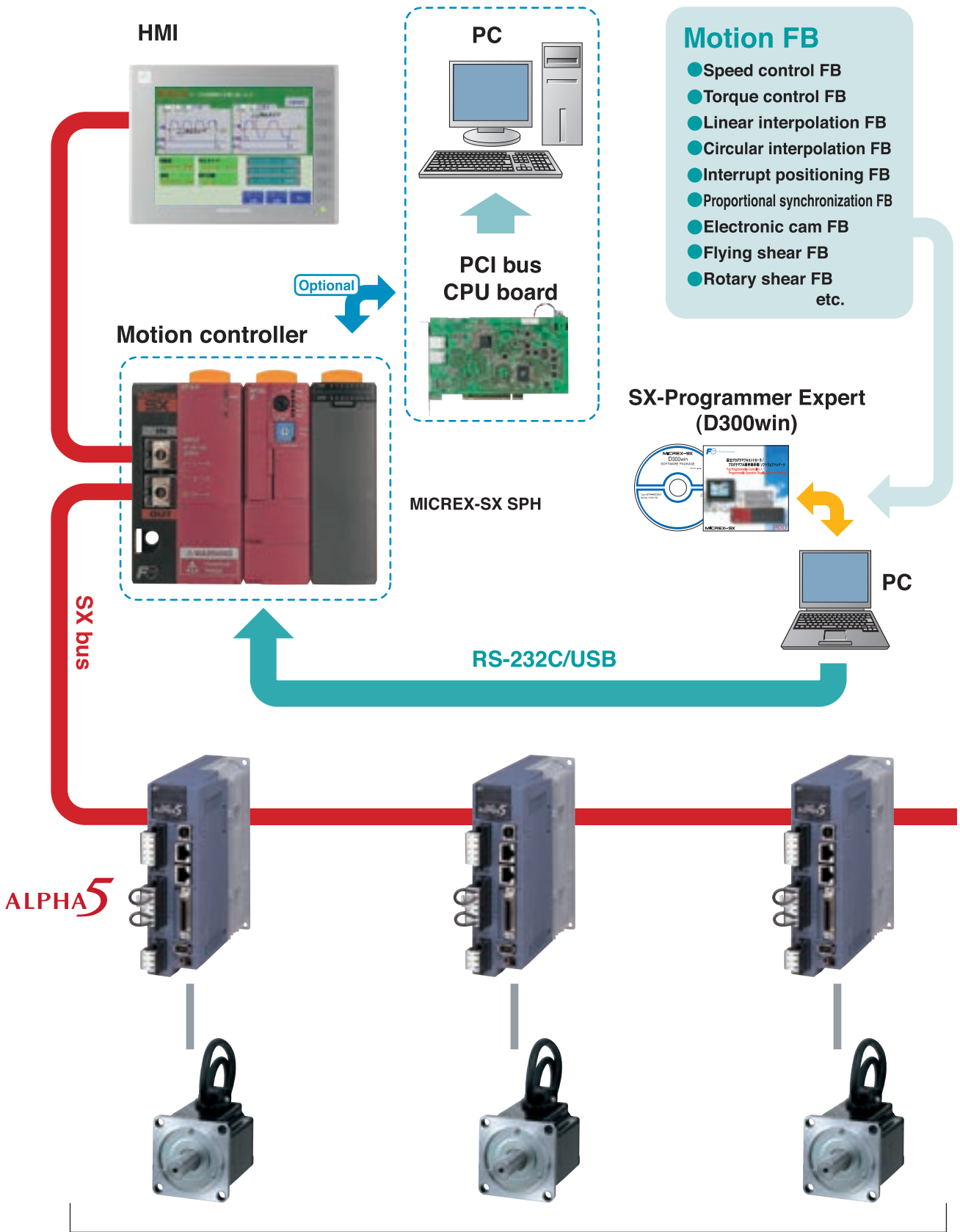


Total extension 1 km (maximum), 238 connected units (maximum)

Compatibility with SX bus: VS type and LS type

Sophisticated motion control system that has synchronization and interpolation controls can be configured easily.

Transmission speed: 25 Mbps, max. number of connectable units: 32 units, max. speed control cycle: 1 ms (with 4 units connected)



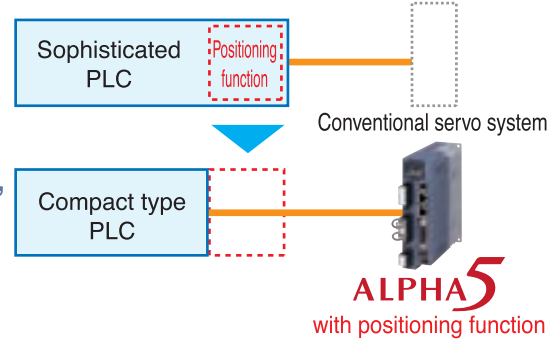
Total extension 25m (maximum), 32 connection units (maximum)

Compatibility with general-purpose communication: VV type

Simple! PTP positioning

Positioning function is embedded as standard in general purpose interface unit "ALPHA5 VV".

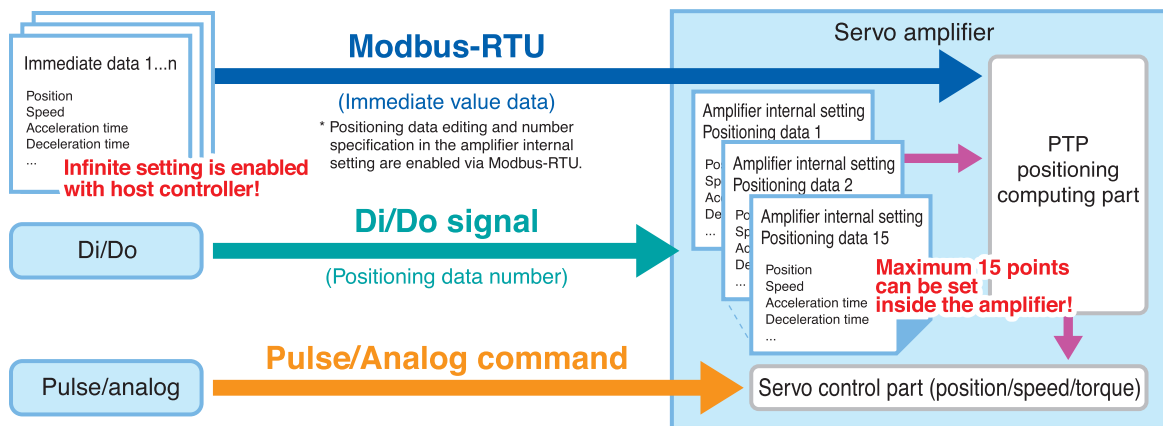
As the ALPHA5 VV type is the standard model, external positioning unit or dedicated items for positioning are not required.



3 in 1 !

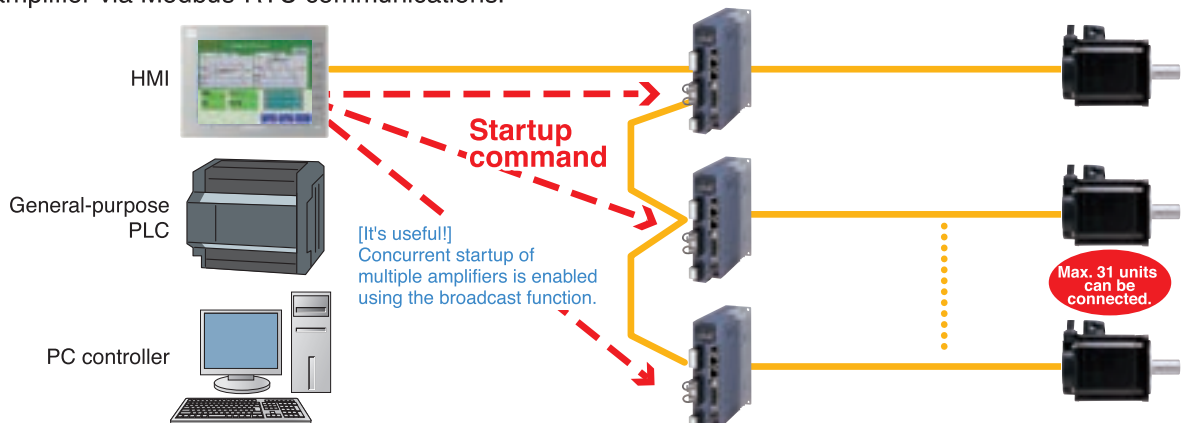
Following operations are enabled by one unit:

- Positioning via Modbus-RTU communications (immediate value data)
- Positioning via Di/Do signal (positioning data 15 points*)
- Controlling positions, speeds and torques via pulse/analog input



Simple connection! Modbus-RTU communications

Operations such as PTP positioning operation, parameter edit, and various monitoring are enabled. All you need to do is connect HMI (POD), general-purpose PLC, or PC controller directly to servo amplifier via Modbus-RTU communications.



Other makers' products compatible with Modbus-RTU

Any HMI (POD), general-purpose PLC, or PC controller compatible with Modbus-RTU can be connected to servo amplifier easily regardless of maker.

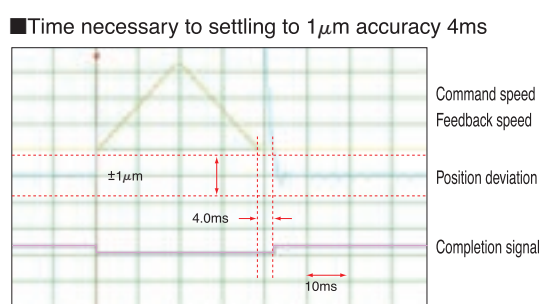
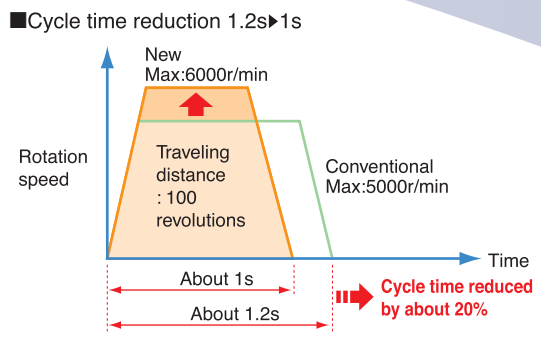


Fast and accurate positioning is realized.

- New high speed servo control engine
Frequency response 1500Hz
- Increased motor rotation speed
Max. rotation speed 6000r/min
- Fine resolution encoder

18-bit absolute	262,144 pulses
20-bit incremental	1,048,576 pulses

High performance frequency response (1500Hz), high rotation speed (6000r/min) and high resolution encoder reduce the cycle time and make faster and more accurate positioning and settling possible.



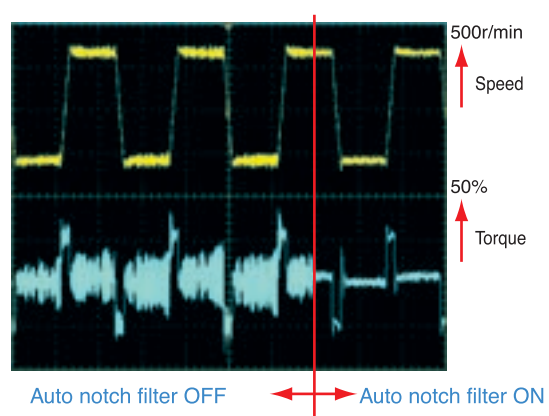
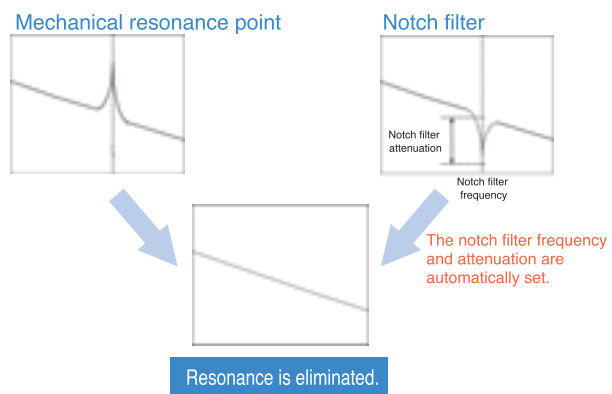
1/10000 rotation accuracy with a 10mm ball screw = 1μm



New control functions

New notch filter (auto notch filter)

The notch filter is set automatically upon detection of mechanical resonance. Because detection and calculation are always conducted while the auto notch filter remains turned on, resonance frequencies changing by time are effectively filtered.



Homing by hit-to-stop

Wire saving can be achieved with elimination of the limit switch and over travel signal. Moreover, several homing functions allows homing program creation to be simplified only by combining the servo parameters. Creating complicated program of homing in the host controller is no more necessary.

Motor stop method setting is enabled

- Alarm occurrence
 - Main power supply is OFF.
 - Servo ON signal is OFF.
- Selection among rapid deceleration stop, DB stop, and coast-to-stop is enabled under the above conditions. Since limiting output torque at desired value is possible even if rapid deceleration stops is selected, impact shock to the machine can be reduced.

* However, it is enabled when the control power supply is input.

Reduced space

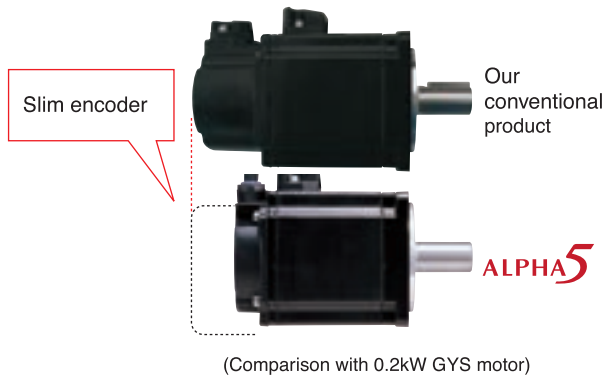
Size reduction of servomotor and servo amplifier

- Servo amplifier

The installation area is reduced by 25 to 30% when compared with our conventional model.

- Servomotor

The overall length is reduced by about 15% when compared with our conventional model.



Close installation

The servo amplifier can be installed side by side without a clearance. The installation space in the control panel of the machine is reduced.

* 80% ED rating in case of close installation
There is no limitation if 5mm or a larger clearance is placed.



Close installation can be made even if the ABS backup battery is installed. The battery can be replaced without difficulty while the servo amplifier is left installed.



The designed life time of the battery is about 35000 hours. (Retention time with power turned off)



Long life design

The designed service lives of various parts of the servo amplifier are extended.

Electrolytic capacitor: 10 years

Cooling fan: 10 years

* Operating conditions

- Ambient temperature: Average 30°C/year
- Load factor: Within 80%
- Operation ratio: Within 20 hours/day

Compliance with various standards

Compliance with CE marking and UL/cUL and TÜV

Global Compatibility. The standard model complies with CE marking, UL/cUL and TÜV.



* As for UL/cUL, some of the models are in the process to be certified.

Compliance with RoHS directive

The standard model complies with EU's specific hazardous material limitation (RoHS) directive. The servo system is environmentally friendly because use of six hazardous materials is limited.

<Six hazardous materials>

Lead, mercury, cadmium, hexavalent chromium, polybrominated biphenyl (PBB), polybrominated diphenylether (PBDE)

Environmental resistance

IP67 (servomotor)

The standard servomotor model is compatible with IP67* and it can be used in the environment susceptible to water or dust splashes.

* Except for shaft-through part and connectors

Compatibility

Compatibility with FALDIC- α , - β motors

Because compatibility with FALDIC- α , - β Series servomotors is assured, the new amplifier meets requirements for replacement of existing products flexibly. (Compatibility with individual products is planned.)



Improved usability: PC Loader

USB connection

The amplifier can be connected to a PC using a commercially available USB cable (B-type).

Simple setup

- Easy tuning and profile operation

Machine and servo adjustments are possible even without completing the controller program, substantially reducing machine setup time.

- Sequence test mode

The controller program can be run even if machine setup is not complete, improving program debugging efficiency.

Complete package of maintenance functions

- Incidental alarm functions

When an alarm occurs, data such as the speed and torque at the time of the alarm is displayed together with the alarm content, facilitating accurate analysis of alarm causes.

- Life warning function

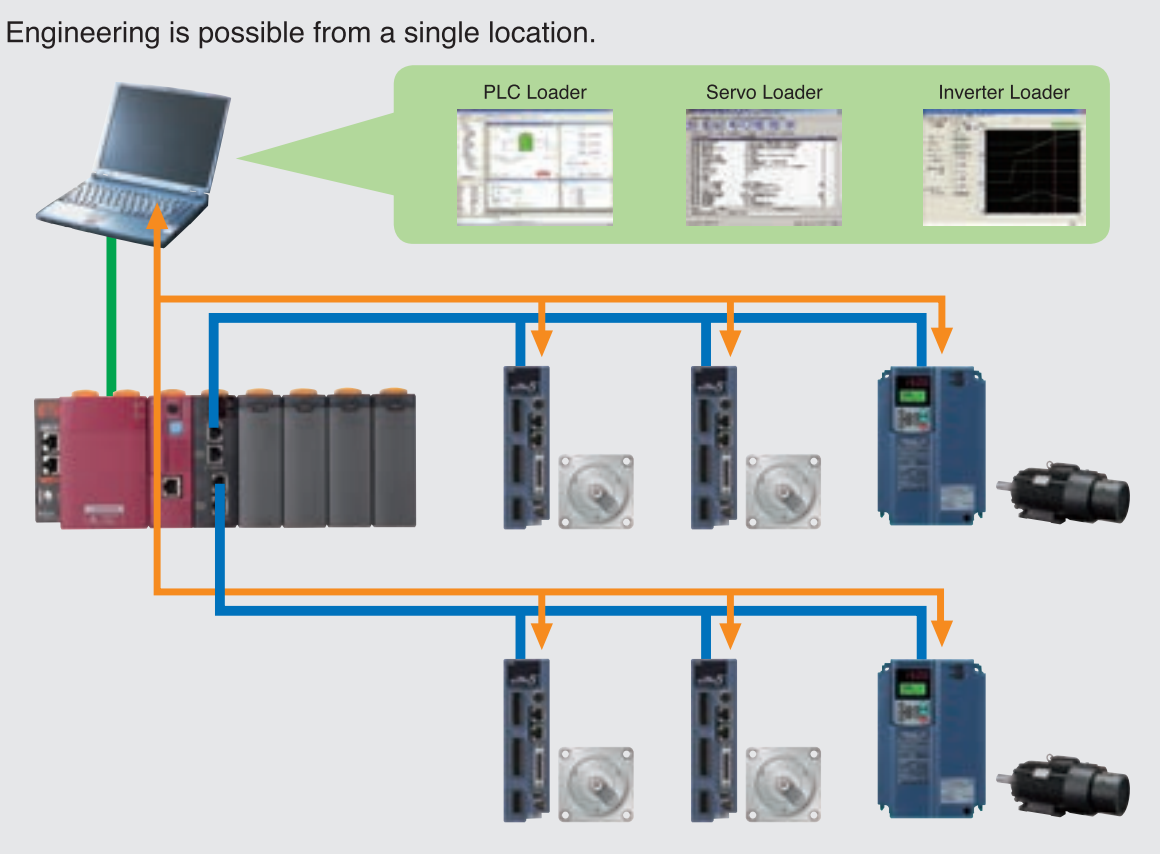
Provides the user with warnings on the life of servo amplifier consumable parts.

- Battery life warning
- Main circuit capacitor life warning
- Cooling fan life warning



Transparent communication

With the transparent communication function, a servo amplifier parameter editing monitor can be acquired via the motion controller (E-SX bus or SX bus).



Explanation of Model Codes

Servo amplifier

RYT 500 D 5 - V S 2

Code	[Basic type]
RYT	ALPHA5 series

Code	[Applicable motor output]
500	$50 \times 10^0 = 0.05\text{kW}$
101	$10 \times 10^1 = 0.1\text{kW}$
201	$20 \times 10^1 = 0.2\text{kW}$
401	$40 \times 10^1 = 0.4\text{kW}, 0.375\text{kW}$
501	$50 \times 10^1 = 0.5\text{kW}$
751	$75 \times 10^1 = 0.75\text{kW}$
851	$85 \times 10^1 = 0.85\text{kW}$
102	$10 \times 10^2 = 1.0\text{kW}$
132	$13 \times 10^2 = 1.3\text{kW}$
152	$15 \times 10^2 = 1.5\text{kW}$
202	$20 \times 10^2 = 2.0\text{kW}$
302	$30 \times 10^2 = 3.0\text{kW}$
402	$40 \times 10^2 = 4.0\text{kW}$
502	$50 \times 10^2 = 5.0\text{kW}$

Code	[Series]
D	3000r/min series
C	2000r/min series
B	1500r/min series

Code	[Order of development]
5	5

Code	[Input voltage]
2	3-phase 200 VAC
6	Single-phase 100 VAC

Code	[Upper interface]
S	SX bus
V	General-purpose interface (pulse, analog voltage)

Code	[Major functions]
V	Position, speed and torque control
L	Built-in positioning function

Servomotor

GYS 500 D 5 - H B 2 - B

Code	[Basic type]
GYS	Ultra-low inertia
GYC	Low inertia
GYG	Medium inertia
GYB	Medium inertia
GYH	Medium inertia

Code	[Rated output]
500	$50 \times 10^0 = 0.05\text{kW}$
101	$10 \times 10^1 = 0.1\text{kW}$
201	$20 \times 10^1 = 0.2\text{kW}$
401	$40 \times 10^1 = 0.4\text{kW}, 0.375\text{kW}$
501	$50 \times 10^1 = 0.5\text{kW}$
751	$75 \times 10^1 = 0.75\text{kW}$
851	$85 \times 10^1 = 0.85\text{kW}$
102	$10 \times 10^2 = 1.0\text{kW}$
132	$13 \times 10^2 = 1.3\text{kW}$
152	$15 \times 10^2 = 1.5\text{kW}$
202	$20 \times 10^2 = 2.0\text{kW}$
302	$30 \times 10^2 = 3.0\text{kW}$
402	$40 \times 10^2 = 4.0\text{kW}$
502	$50 \times 10^2 = 5.0\text{kW}$
702	$70 \times 10^2 = 7.0\text{kW}$

Code	[Rated speed]
D	3000r/min series
C	2000r/min series
B	1500r/min series

Code	[Order of development]
5	5
6	6

Code	[Brake]
Blank	Not provided
B	Provided

Code	[Input voltage]
2	3-phase 200 VAC
6	Single-phase 100 VAC

Code	[Oil seal/shaft]
A	Without an oil seal, straight shaft with a key
B	Without an oil seal, straight shaft without a key
C	Without an oil seal, straight shaft with a key, tapped
E	With an oil seal, straight shaft with a key
F	With an oil seal, straight shaft without a key
G	With an oil seal, straight shaft with a key, tapped

Code	[Encoder]
H	18-bit ABS
R	20-bit INC
T	17-bit INC

Specifications of Servo Amplifier

Common specifications

Applicable motor rated speed		3000r/min				3000r/min										2000r/min					1500r/min					
Applicable motor output [kW]		0.05	0.1	0.2	0.375	0.05	0.1	0.2	0.4	0.75	1.0	1.5	2.0	3.0	4.0	5.0	0.5	0.75	1.0	1.5	2.0	0.5	0.85	1.3		
Amplifier type		D5-△△△				C5-△△2										B5-△△2										
RYT□□□																										
Mass [kg]		Frame 1		Frame 2	Frame 3	Frame 1		Frame 2	Frame 3	Frame 4	Frame 5	Frame 6	Frame 3		Frame 4	Frame 5	Frame 3	Frame 4	Frame 5	Frame 3	Frame 4	Frame 5				
		0.9		1.1	1.3	0.9		1.1	1.3	1.5	2.6	3.8	1.3		1.5	2.9	1.3	1.5	2.9	1.3	1.5	2.9				
Power supply		Open / self-cooling		Open / forced air cooling	Open / self-cooling		Open / forced air cooling					Open / forced air cooling			Open / forced air cooling			Open / forced air cooling								
Main power supply		Phase		Single-phase		Single-phase, 3-phase			3-phase					Single-phase, 3-phase		3-phase			Single-phase, 3-phase		3-phase					
		Voltage frequency		AC100 to 120V 50/60Hz		AC200 to 240V 50/60Hz										Single-phase, 3-phase			3-phase			Single-phase, 3-phase		3-phase		
		Allowable voltage fluctuation		AC85 to 132V		3-phase: AC170 to 262V, Single-phase: AC190 to 262V																				
Control power supply		Phase		Single-phase																						
		Voltage frequency		AC100 to 120V 50/60Hz		AC200 to 240V 50/60Hz																				
		Allowable voltage fluctuation		AC85 to 132V		AC170 to 262V																				
Control system		IGBT PWM sinusoidal PWM drive																								
Max voltage for regenerative resistance [W]		Built-in resistor		-	-	8	20	-	-	-	8	20	20	20	30	30	60	60	20	20	20	30	30	20	20	30
		External resistor *1		17	17	25	25	17	17	17	17	50	50	50	260	260	300	300	50	50	50	260	260	50	50	260
Dynamic brake		Built-in *2																								
Feedback		18-bit serial encoder (absolute/incremental), 20-bit serial encoder (incremental)																								
Overload capability		300% / 3 sec.																								
Speed fluctuation ratio		Load fluctuation		Within ±1 r/min (load fluctuation 0 to 100%)																						
		Power supply fluctuation		Within ±1 r/min (power supply fluctuation -10 to +10%)																						
		Temperature fluctuation		Within ±0.2% (25 ±10°C at rated operation speed and analog input operation)																						
Capability and function		VV type		Speed control function		Closed loop control with speed adjuster, acceleration/deceleration time setting, manual feed rate/max. rotation speed, speed command zero clamp, etc.																				
				Position control function		15-point (position, speed, acceleration/deceleration time setting, timer, M code and various statuses)																				
				Torque control function		Closed loop control with position adjuster, electronic gear, output pulse setting, feed forward, homing, interrupt positioning, auto startup, etc.																				
		VS type		Accessory functions		Closed loop control with current adjuster (proportional open loop control of current and torque), torque limit, speed limit at torque control, etc.																				
				Speed control function		Easy tuning, profile operation, sequence test mode, auto tuning, auto notch filter, vibration suppressing online learning, etc.																				
				Position control function		Closed loop control with speed adjuster, acceleration/deceleration time setting, manual feed rate/max. rotation speed, etc.																				
		LS type		Torque control function		Closed loop control with position adjuster, electronic gear, output pulse setting, feed forward, homing, interrupt positioning, etc.																				
				Accessory functions		Closed loop control with current adjuster (proportional open loop control of current and torque), torque limit, speed limit at torque control, etc.																				
				Position control function		Easy tuning, profile operation, sequence test mode, auto tuning, auto notch filter, vibration suppressing online learning, etc.																				
				Accessory functions		Automatic startup, manual operation, pulse train, homing																				
		Protective function (Alarm indication)		Number of position data sets		99-point (position, speed, timer, M code and various statuses)																				
				Max positioning value		±2,000,000.000																				
Positioning method				Absolute / incremental																						
Accessory functions				Easy tuning, profile operation, sequence test mode, auto tuning, auto notch filter, vibration suppressing online learning, etc.																						
Working conditions		Protective function		Overcurrent(oc1, oc2), Overspeed(oS), Control power undervoltage(Lvc), Overvoltage(Hv), Encoder trouble(Et1, Et2), Circuit trouble(ct), Memory Error(dE), Fuse Broken(Fb), Motor Combination Error(cE), Braking transistor overheat(tH), Encoder Communication error(Ec), CONT(Control signal) Error(ctE), Overload(oL1, oL2), Main power undervoltage(LvP), Braking resistor overheat(rH1, rH2, rH3), Deviation overflow(oF), Amplifier overheat(AH), Encoder overheat(EH), Absolute data Lost(dL1, dL2, dL3), Multi-turn data over flow(AF), Initial Error(iE), Command pulse Frequency Error(HF)																						
		Installation place		6-digit alphanumeric display with 7-segment LED 4 operation switches Analog monitor connector (CN6), status indication LED																						
		Temperature/humidity		Indoors (free from direct sunshine), altitude ≤ 1000m, free from corrosive and flammable gases, oil mist and dust																						
		Vibration / shock resistance		In case of compliance with CE marking Models compliant with EU directive: pollution degree 2, over voltage category III																						
Standards		-10 to 55°C/10 to 90%RH (without condensation)																								
		4.9m/s²/19.6m/s²																								
		UL/cUL (UL508c), CE marking (low voltage directive EN61800-5-1) (acquisition being applied for model of 2.0kW or more), RoHS directive																								

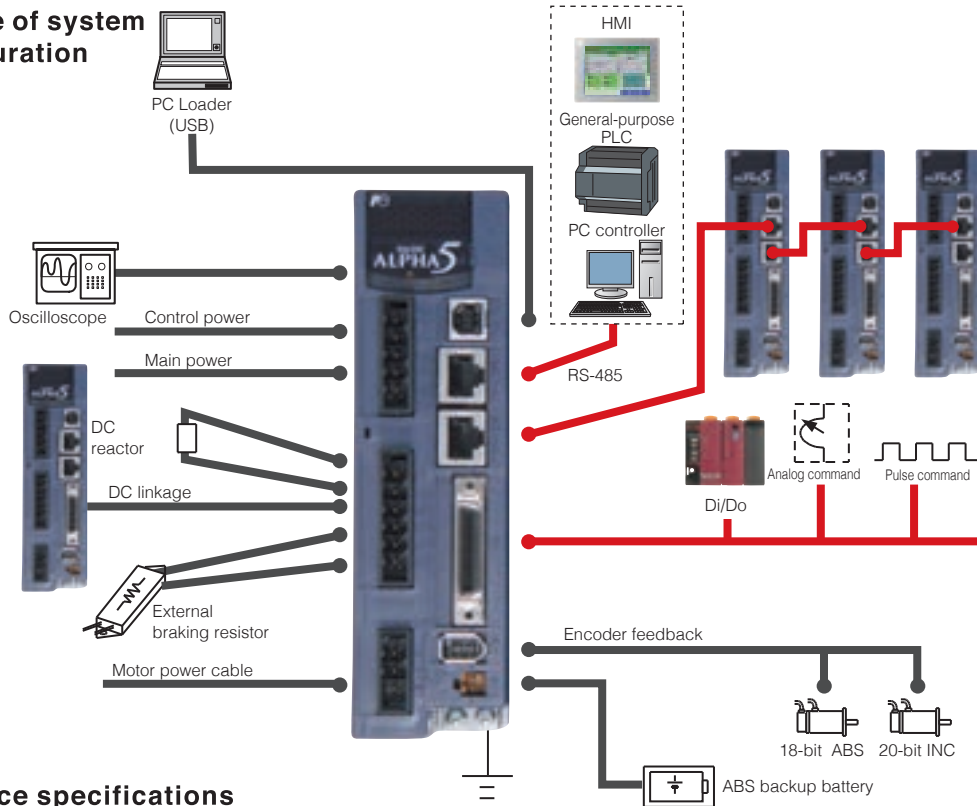
*1: The figure is data determined when the amplifier is connected with an external resistor dedicated for each model.

*2: We will accept custom orders for models without dynamic brake.

Specifications of Servo Amplifier

VV Type

Outline of system configuration



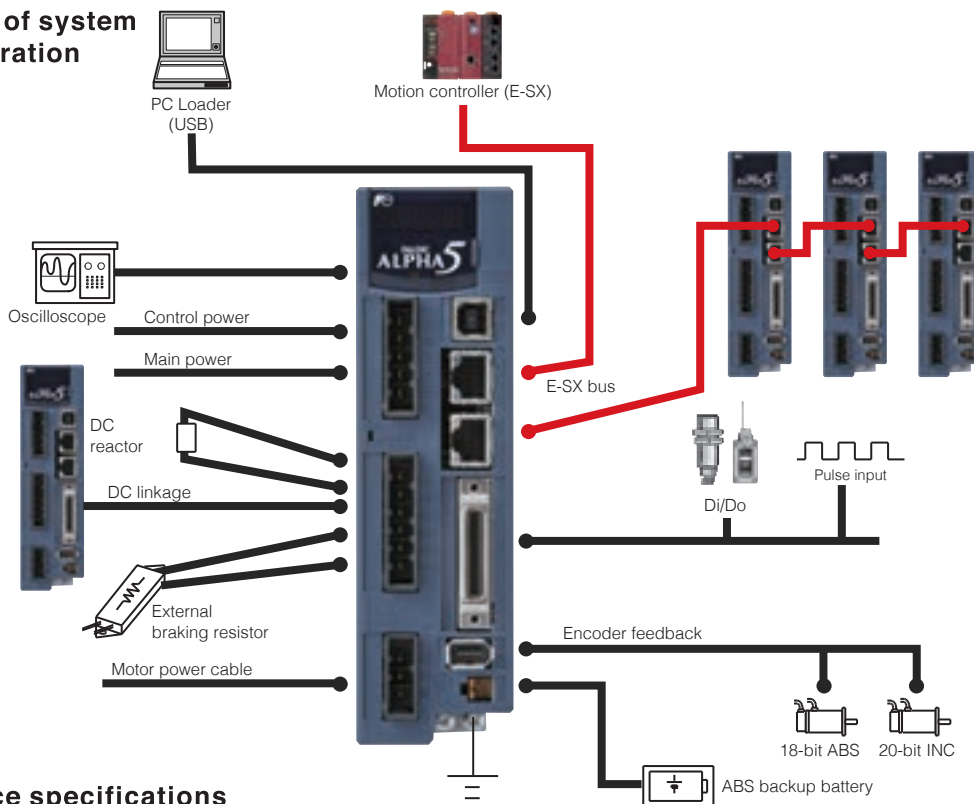
Interface specifications

Item		Specifications
Command interface	Positioning function	RS-485 (Modbus-RTU), Di/Do
	Position control	Pulse input
	Speed control	Analog voltage input
	Torque control	Analog voltage input
Communication interface		Two RS-485 ports (for parameter editing and monitor)
		Our original protocol Modbus-RTU
		9600/19200/38400 bps, connection of max. 31 axes
Terminal name	Symbol	Specifications
Pulse input	CA,*CA CB,*CB	Pulse input under position control Differential input: max. input frequency $\leq 1.0\text{MHz}$ Open collector input: max. input frequency $\leq 200\text{kHz}$ (in case of signals at 90-degree phase difference, the above relationship is true for the four-fold frequency.) Pulse format Command pulse/Command direction Forward/Reverse pulse Two signals at 90-degree phase difference } Select one of these formats with a parameter setting.
	PPI	
Pulse output	FFA,*FFA FFB,*FFB	Differential output: max. output frequency $\leq 1\text{MHz}$ Two signals at 90-degree phase difference Pulse output count setting n pulses/rev): $16 \leq n \leq 262144$
	FFZ,*FFZ	
	FZ	Open collector output: 1 pulse/rev
	M5	Reference potential (0V)
Analog monitor voltage output	MON1 MON2	0V to $\pm 10\text{VDC}$ Resolution: 14bits / \pm full scale The output data depends on internal parameter.
	M5	Reference potential (0V)
	COMIN	Common for sequence input signal
Common for sequence I/O	COMOUT	Common for sequence output signal
Sequence input signal	CONT1 to CONT8	ON upon short circuit across contacts, OFF upon open circuit 12VDC-10% to 24VDC+10% Current consumption 20mA (per contact; used at 24VDC circuit voltage) Function of each signal depends on parameter setting Compatible with both sink and source input methods
Sequence output signal	OUT1 to OUT5	Short circuit upon ON, open circuit upon OFF 30VDC / 50mA (max.) Function of each signal depends on parameter setting Compatible with both sink and source output methods
Analog voltage input	VREF	Speed command input for speed control Input range: from -10 to 0 to +10V, input impedance 20k Ω Resolution: 15 bits / \pm full scale
	TREF	Torque command input for torque control Input range: from -10 to 0 to +10V, input impedance 20k Ω Resolution: 14 bits / \pm full scale
	P10	Power supply output for analog command (+10 VDC), output capacity 30 mA
	M5	Reference potential (0V)

Specifications of Servo Amplifier

VE type, LE type

Outline of system configuration



Interface specifications

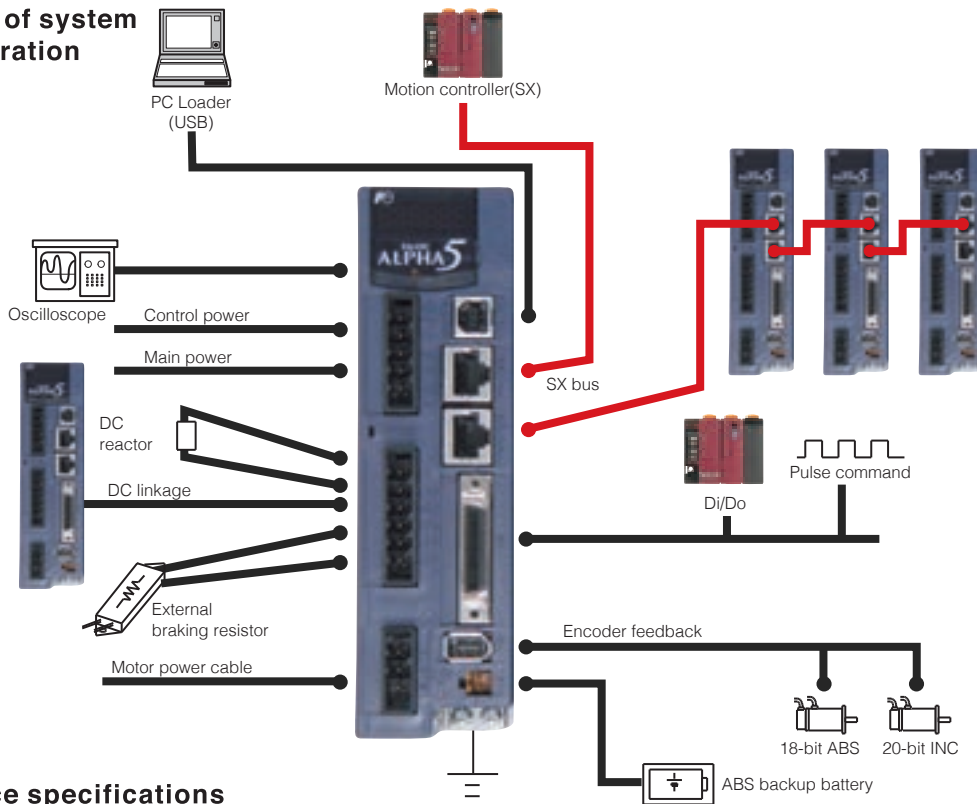
Item	Specifications	
Command interface	Position control	E-SX bus: IQ area
	Speed control	E-SX bus: IQ area
	Torque control	E-SX bus: IQ area
Communication interface	E-SX bus (for command interface, parameter editing, monitor)	
	Original Fuji protocol	
	100 Mbps, connection of up to 238 axes	
Terminal name	Symbol	Specifications
Pulse input	CA,*CA CB,*CB	Pulse input when using high-speed counter function (VE type), pulse input when using position control (LE type) Differential input: max. input frequency ≤ 1.0MHz Open collector input: max. input frequency ≤ 200kHz (With signals of 90-degree phase difference, the above relationship is true for a four-fold frequency.) Pulse format: Command pulse/command code Forward/reverse pulse Two signals at 90-degree phase difference } Select one of these formats with a parameter setting.
	PPI	Pull-up power input when open collector input (24 VDC ±10%)
Pulse output	FFA,*FFA FFB,*FFB	Differential output: max. output frequency ≤ 1MHz Two signals at 90-degree phase difference Pulse output count setting n pulses/rev: 16 ≤ n ≤ 262144
	FFZ,*FFZ	Differential output: 1 pulse/rev
	FZ	Open collector output: 1 pulse/rev
	M5	Reference potential (0 V)
Analog monitor voltage output	MON1 MON2	0 V to ±10 VDC Resolution: 14 bits / ± full scale Output data depends on internal parameters.
	M5	M5 is reference potential (0 V)
	COMIN COMOUT	Common for sequence input signal Common for sequence output signal
Sequence input signal	CONT1 to CONT5	ON upon short circuit across contacts, OFF when open circuit 12 VDC - 10% to 24 VDC + 10% Current consumption: 20mA (per contact; used at 24 VDC circuit voltage) Function of each signal depends on parameter setting Compatible with both sink and source input methods
Sequence output signal	OUT1 to OUT2	Short circuit when ON, open circuit when OFF 30 VDC / 50mA (max.) Function of each signal depends on parameter setting Compatible with both sink and source output methods

Specifications of Servo Amplifier

Specifications of Servo Amplifier

VS Type, LS Type

Outline of system configuration



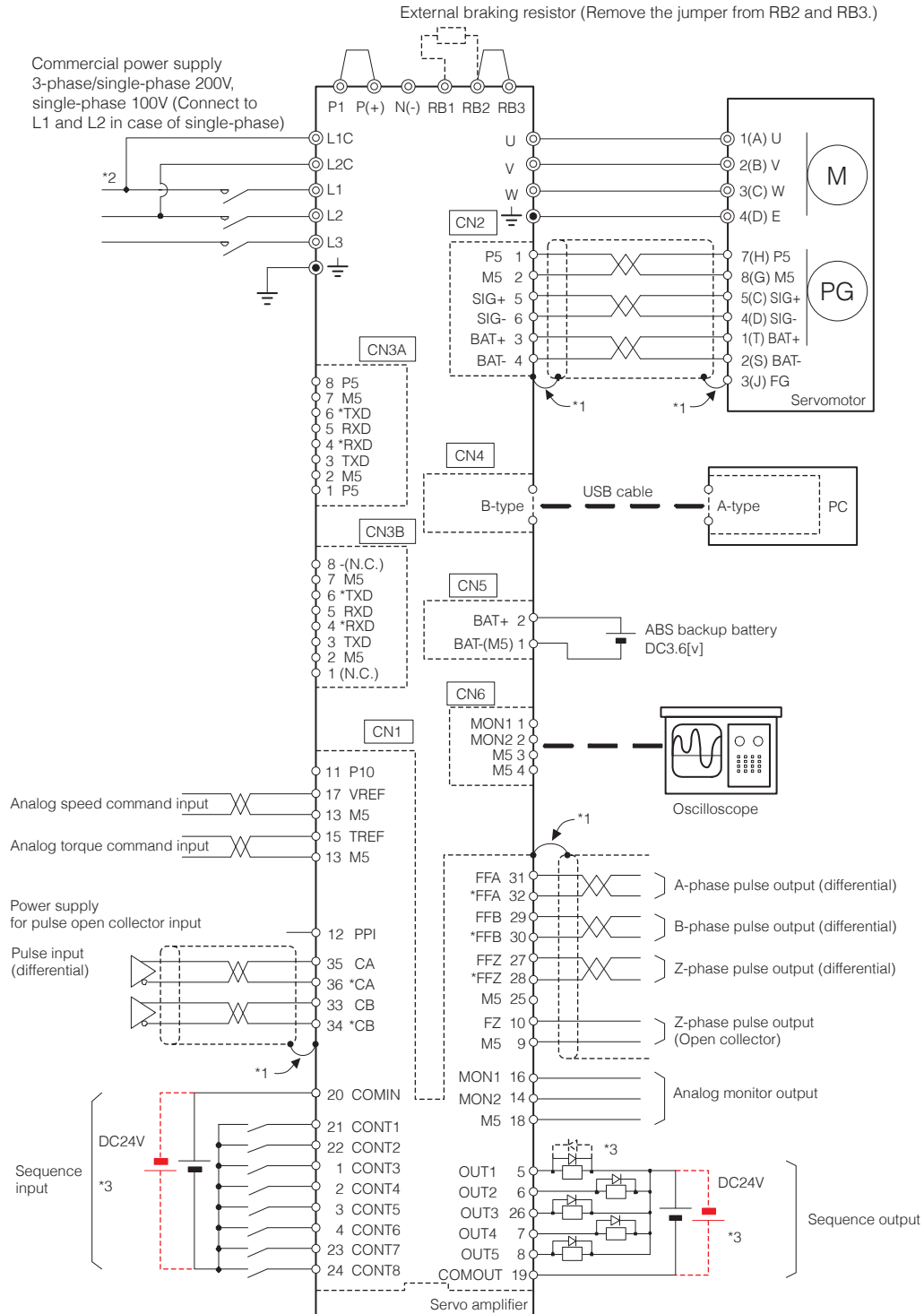
Interface specifications

Item	Specifications		
Command interface	Position control	SX bus: IQ area	
	Speed control	SX bus: IQ area	
	Torque control	SX bus: IQ area	
Communication interface	SX bus (for command interface, parameter editing and monitor)		
	Our original protocol		
	25Mbps, connection of max. 32 axes		
Terminal name	Symbol	Specifications	
Pulse input	CA,*CA CB,*CB	Pulse input during operation with high speed counter function (VS Type), Pulse train command input for position control (LS Type) Differential input: max. input frequency $\leq 1.0\text{MHz}$ Open collector input: max. input frequency $\leq 200\text{kHz}$ (In case of signals at 90-degree phase difference, the above relationship is true for the four-fold frequency.) Pulse format Command pulse/Command direction Forward/Reverse pulse Two signals at 90-degree phase difference } Select one of these formats with a parameter setting.	
	PPI		Pull-up power input at open collector input ($24\text{VDC} \pm 10\%$)
Pulse output	FFA,*FFA FFB,*FFB	Differential output: max. output frequency $\leq 1\text{MHz}$ Two signals at 90-degree phase difference Pulse output count setting (n pulses/rev): $16 \leq n \leq 262144$	
	FFZ,*FFZ		Differential output 1 pulse/rev
	FZ		Open collector output 1 pulse/rev
	M5		Reference potential (0V)
Analog monitor voltage output	MON1 MON2	0V to $\pm 10\text{VDC}$ Resolution: 14 bits / \pm full scale The output data depends on the internal parameter.	
	M5	Reference potential (0V)	
	COMIN COMOUT	Common for sequence input signal Common for sequence output signal	
Sequence input signal	CONT1 to CONT5	ON upon short circuit across contacts, OFF upon open circuit $12\text{VDC} - 10\%$ to $24\text{VDC} + 10\%$ Current consumption 20mA (per contact; use at circuit voltage 24 VDC) Function of each signal depends on parameter setting Compatible with both sink and source input methods	
Sequence output signal	OUT1 to OUT2	Short circuit upon ON, open circuit upon OFF 30VDC / 50mA (max.) Function of each signal depends on parameter setting Compatible with both sink and source output methods	

Specifications of Servo Amplifier

Connection Diagram (Reference)

VV type



*1: Connect the shield to the connector shell of CN1 and CN2. The connector shell is at the ground potential (FG).

*2: Supply the control power (L1c and L2c) without fail. (The servo amplifier does not function with merely the main power supply.)

*3: To use in the source I/O, connect as shown with the broken line. Connect the surge absorber diode of the output load with the reverse polarity.

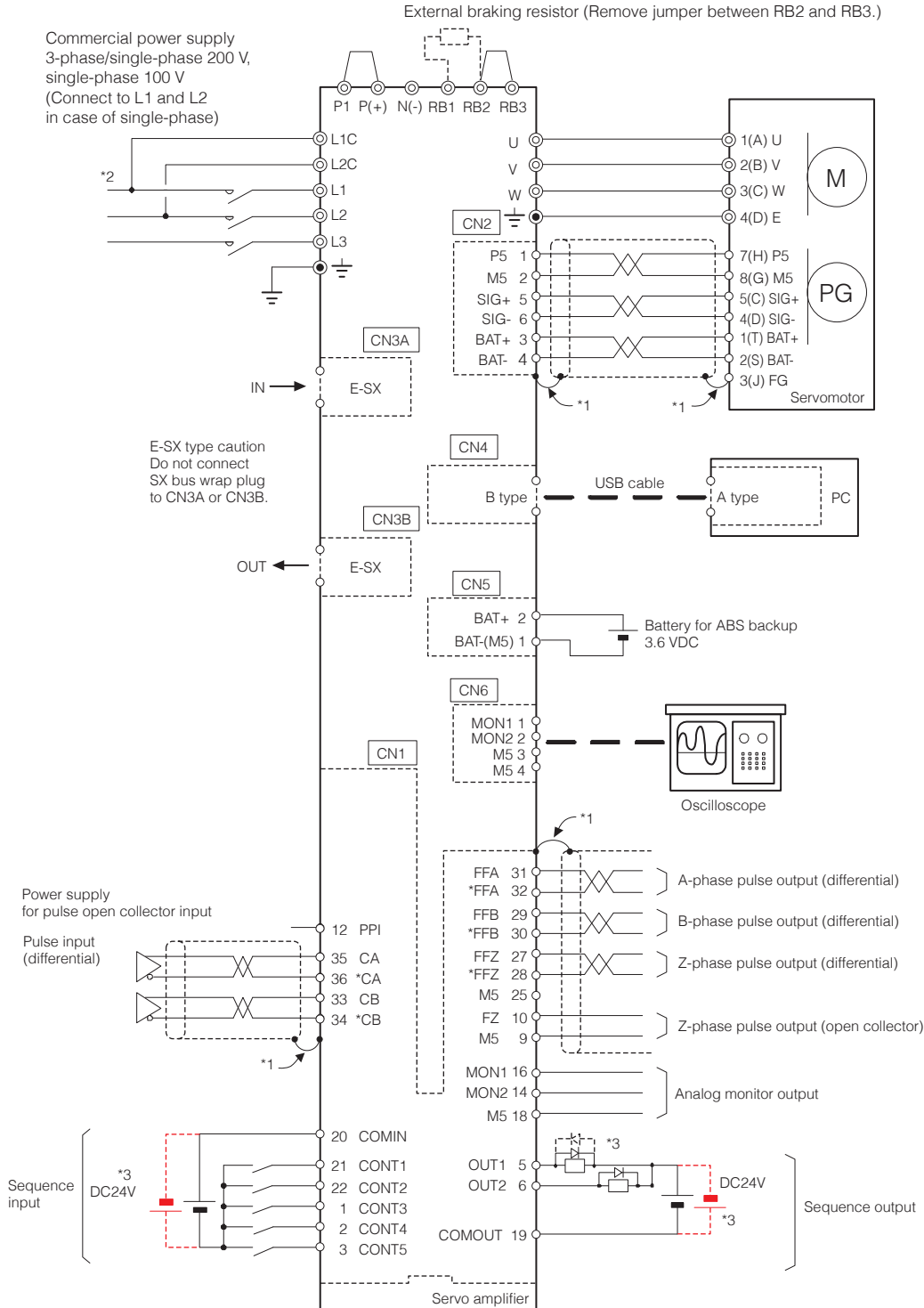


Caution

The diagram shown above is given as a reference for model selection.
When actually using the selected servo system, make wiring connections according to the connection diagram and instructions described in the user's manual.

Connection Diagram (Reference)

VE type, LE type



*1: Connect the shield to the connector shell of CN1 and CN2. The connector shell is at the ground potential (FG).

*2: Power must be supplied for the control power (L1c and L2c). (The servo amplifier will not function with only the main power supply.)

*3: To use with the source I/O, connect as shown with the broken line. Connect the surge absorber diode for the output load with polarity reversed.



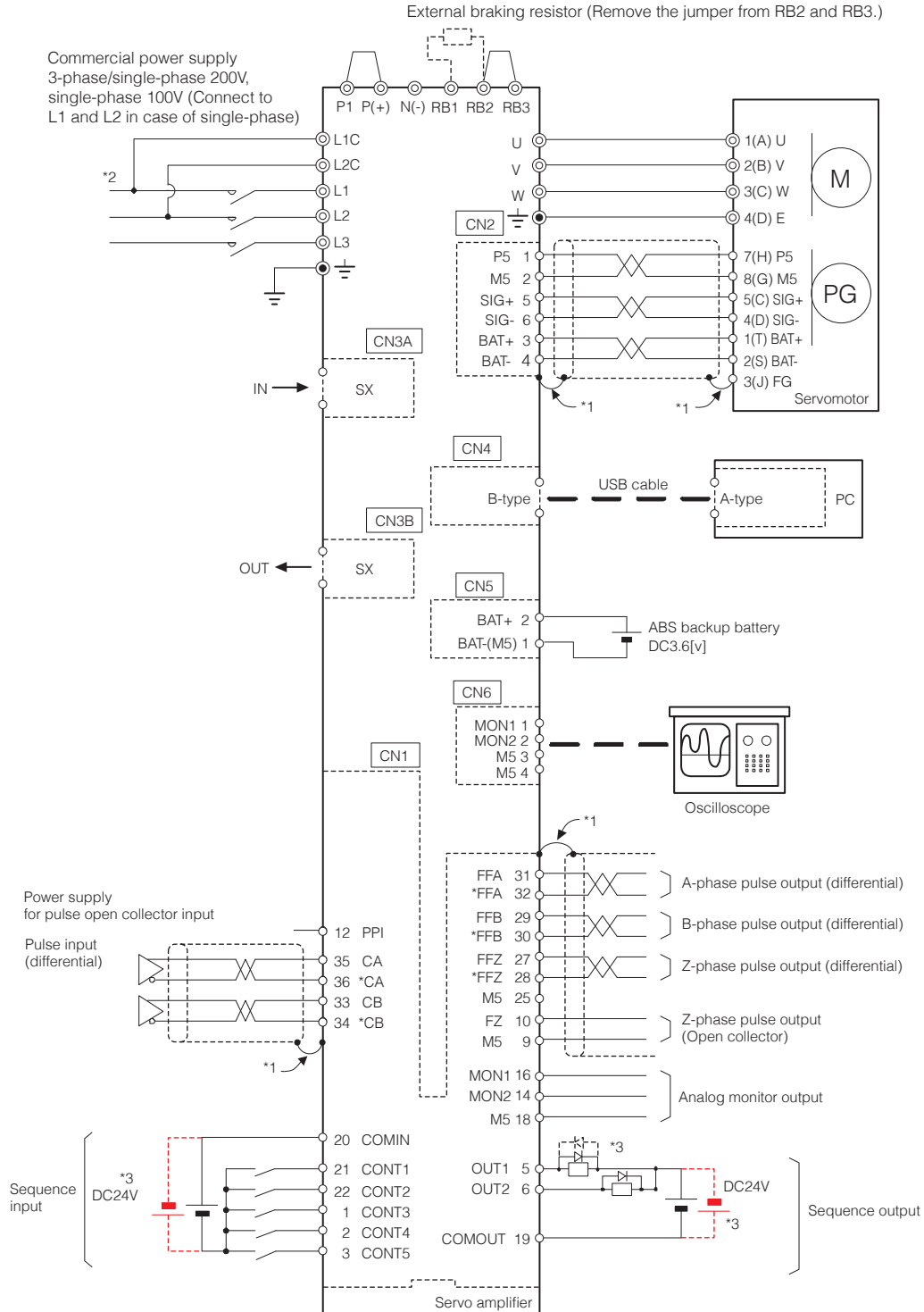
Caution

The diagram shown above is given as a reference for model selection.

When actually using the selected servo system, make wiring connections according to the connection diagram and instructions described in the user's manual.

Connection Diagram (Reference)

VS type, LS type



*1: Connect the shield to the connector shell of CN1 and CN2. The connector shell is at the ground potential (FG).

*2: Supply the control power (L1c and L2c) without fail. (The servo amplifier does not function with merely the main power supply.)

*3: To use in the source I/O, connect as shown with the broken line. Connect the surge absorber diode of the output load with the reverse polarity.



Caution

The diagram shown above is given as a reference for model selection.
When actually using the selected servo system, make wiring connections according to the connection diagram and instructions described in the user's manual.

Specifications of Servomotor

GYS Motor

100V series

Standard specifications

Motor type (-B indicates the brake-incorporated type.)	GYS500D5 - □□ 6 (-B)	GYS101D5 - □□ 6 (-B)	GYS201D5 - □□ 6 (-B)	GYS401D5 - □□ 6 (-B)
Rated output [kW]	0.05	0.1	0.2	0.375
Rated torque [N · m]	0.159	0.318	0.637	1.19
Rated speed [r/min]	3000			
Max. speed [r/min]	6000*1			
Max. torque [N · m]	0.478	0.955	1.91	3.58
Inertia [kg · m ²] () indicates brake-incorporated type.	0.0192×10 ⁻⁴ (0.0223×10 ⁻⁴)	0.0371×10 ⁻⁴ (0.0402×10 ⁻⁴)	0.135×10 ⁻⁴ (0.159×10 ⁻⁴)	0.246×10 ⁻⁴ (0.270×10 ⁻⁴)
Rated current [A]	0.85	1.5	2.7	4.8
Max. current [A]	2.55	4.5	8.1	14.4
Winding insulation class	Class B			
Degree of enclosure protection	Totally enclosed, self-cooled (IP 67, excluding the shaft sealing and connectors)			
Terminals (motor)	Cable 0.3m (with connector)			
Terminals (encoder)	Cable 0.3m (with connector)			
Overheat protection	Not provided (The servo amplifier detects temperature.)			
Mounting method	By securing motor flange IMB5 (L51), IMV1 (L52), IMV3 (L53)			
Encoder	18-bit serial encoder (absolute/incremental), 20-bit serial encoder (incremental)			
Vibration level*2	V5 or below			
Installation place, altitude and environment	For indoor use (free from direct sunlight), 1000m or below, locations without corrosive and flammable gases, oil mist and dust			
Ambient temperature, humidity	-10 to +40°C, within 90% RH max. (without condensation)			
Vibration resistance [m/s ²]	49			
Mass [kg] () indicates brake-incorporated type.	0.45 (0.6)	0.55 (0.7)	1.2 (1.7)	1.8 (2.3)
Compliance with standards	UL/cUL (UL1004), CE marking (EN60034-1, EN60034-5), RoHS directive			

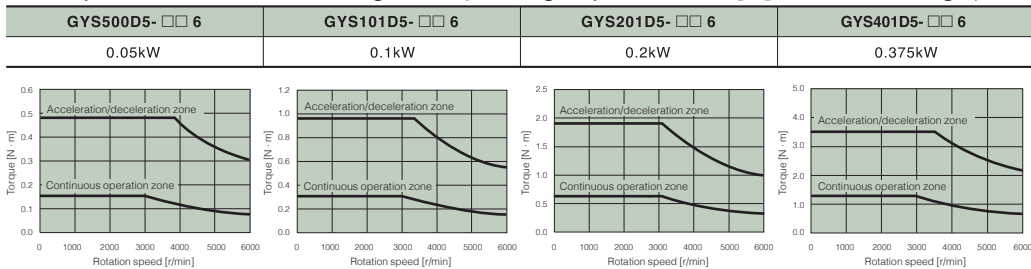
*1 The maximum rotation speed is 5000r/min when using the motor in combination with Fuji's gear head.

*2 The vibration value is the property of flange type IMV1(L52).

Brake specification (motor equipped with a brake)

Motor type	GYS500D5 - □□ 6-B	GYS101D5 - □□ 6-B	GYS201D5 - □□ 6-B	GYS401D5 - □□ 6-B
Static friction torque [N · m]	0.34		1.27	
Rated DC voltage [V]	DC24±10%			
Attraction time [ms]	35		40	
Release time [ms]	10		20	
Power consumption [W]	6.1 (at 20°C)		7.3 (at 20°C)	

Torque characteristics diagrams (at single-phase 100 [V] source voltage)



These characteristics indicate typical values of each servomotor combined with the corresponding RYT type servo amplifier.

The rated torque indicates the value obtained when the servo amplifier is installed to the following aluminum heat sink.

- Model GYS500D, 101D: 200 × 200 × 6 [mm]
- Model GYS201D, 401D: 250 × 250 × 6 [mm]

Specifications of Servomotor

GYS Motor

200V series

Standard specifications

Motor type (-B indicates the brake-incorporated type.)	GYS500D5 - □□ 2 (-B)	GYS101D5 - □□ 2 (-B)	GYS201D5 - □□ 2 (-B)	GYS401D5 - □□ 2 (-B)	GYS751D5 - □□ 2 (-B)
Rated output [kW]	0.05	0.1	0.2	0.4	0.75
Rated torque [N · m]	0.159	0.318	0.637	1.27	2.39
Rated speed [r/min]	3000				
Max. speed [r/min]	6000*1				
Max. torque [N · m]	0.478	0.955	1.91	3.82	7.17
Inertia [kg · m ²] () indicates brake-incorporated type.	0.0192 × 10 ⁻⁴ (0.0223 × 10 ⁻⁴)	0.0371 × 10 ⁻⁴ (0.0402 × 10 ⁻⁴)	0.135 × 10 ⁻⁴ (0.159 × 10 ⁻⁴)	0.246 × 10 ⁻⁴ (0.270 × 10 ⁻⁴)	0.853 × 10 ⁻⁴ (0.949 × 10 ⁻⁴)
Rated current [A]	0.85	0.85	1.5	2.7	4.8
Max. current [A]	2.55	2.55	4.5	8.1	14.4
Winding insulation class	Class B				
Degree of enclosure protection	Totally enclosed, self-cooled (IP 67, excluding the shaft sealing and connectors)				
Terminals (motor)	Cable 0.3m (with connector)				
Terminals (encoder)	Cable 0.3m (with connector)				
Overheat protection	Not provided (The servo amplifier detects temperature.)				
Mounting method	By securing motor flange IMB5 (L51), IMV1 (L52), IMV3 (L53)				
Encoder	18-bit serial encoder (absolute/incremental), 20-bit serial encoder (incremental)				
Vibration level*2	V5 or below				
Installation place, altitude and environment	For indoor use (free from direct sunlight), 1000m or below, locations without corrosive and flammable gases, oil mist and dust				
Ambient temperature, humidity	-10 to +40°C, within 90% RH max. (without condensation)				
Vibration resistance [m/s ²]	49				
Mass [kg] () indicates brake-incorporated type.	0.45 (0.62)	0.55 (0.72)	1.2 (1.7)	1.8 (2.3)	3.4 (4.2)
Compliance with standards	UL/cUL (UL1004), CE marking (EN60034-1, EN60034-5), RoHS directive				

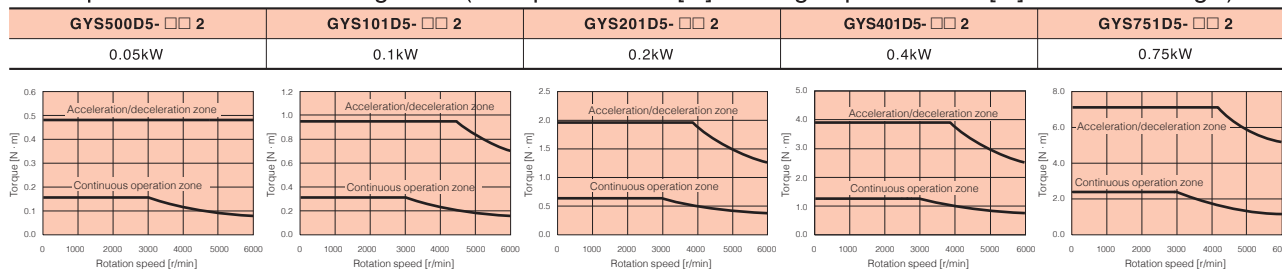
*1 The maximum rotation speed is 5000r/min when using the motor in combination with Fuji's gear head.

*2 The vibration value is the property of flange type IMV1(L52).

Brake specification (motor equipped with a brake)

Motor type	GYS500D5 - □□ 2-B	GYS101D5 - □□ 2-B	GYS201D5 - □□ 2-B	GYS401D5 - □□ 2-B	GYS751D5 - □□ 2-B
Static friction torque [N · m]	0.34		1.27		2.45
Rated DC voltage [V]	DC24±10%				
Attraction time [ms]	35		40		60
Release time [ms]	10		20		25
Power consumption [W]	6.1 (at 20°C)		7.3 (at 20°C)		8.5 (at 20°C)

Torque characteristics diagrams (at 3-phase 200 [V] or single-phase 230 [V] source voltage)



These characteristics indicate typical values of each servomotor combined with the corresponding RYT type servo amplifier.

The rated torque indicates the value obtained when the servo amplifier is installed to the following aluminum heat sink.

- Model GYS500D, 101D: 200 × 200 × 6 [mm]
- Model GYS201D, 401D: 250 × 250 × 6 [mm]
- Model GYS751D: 300 × 300 × 6 [mm]

Specifications of Servomotor

GYS Motor

200V series

Standard specifications

Motor type (-B) indicates the brake-incorporated type.	GYS102D5 - □□ 2 (-B)	GYS152D5 - □□ 2 (-B)	GYS202D5 - □□ 2 (-B)	GYS302D5 - □□ 2 (-B)	GYS402D5 - □□ 2 (-B)	GYS502D5 - □□ 2 (-B)
Rated output [kW]	1.0	1.5	2.0	3.0	4.0	5.0
Rated torque [N · m]	3.18	4.78	6.37	9.55	12.7	15.9
Rated speed [r/min]	3000					
Max. speed [r/min]	5000					
Max. torque [N · m]	9.55	14.3	19.1	28.7	38.2	47.8
Inertia [kg · m ²] () indicates brake-incorporated type.	1.73×10 ⁻⁴ (2.03×10 ⁻⁴)	2.37×10 ⁻⁴ (2.67×10 ⁻⁴)	3.01×10 ⁻⁴ (3.31×10 ⁻⁴)	8.32×10 ⁻⁴ (10.42×10 ⁻⁴)	10.8×10 ⁻⁴ (12.9×10 ⁻⁴)	12.8×10 ⁻⁴ (14.9×10 ⁻⁴)
Rated current [A]	7.1	9.6	12.6	18.0	24.0	30.0
Max. current [A]	21.3	28.8	37.8	54.0	72.0	90.0
Winding insulation class	Class F					
Degree of enclosure protection	Totally enclosed, self-cooled (IP 67, excluding the shaft sealing)*1					
Terminals (motor)	Cannon connector					
Terminals (encoder)	Cannon connector					
Overheat protection	Not provided (The servo amplifier detects temperature.)					
Mounting method	By securing motor flange IMB5 (L51), IMV1 (L52), IMV3 (L53)					
Encoder	18-bit serial encoder (absolute/incremental), 20-bit serial encoder (incremental)					
Vibration level*2	Up to rated rotation speed: V10 or below Over rated rotation speed and up to 5000r/min: V15 or below					
Installation place, altitude and environment	For indoor use (free from direct sunlight), 1000m or below, locations without corrosive and flammable gases, oil mist and dust					
Ambient temperature, humidity	-10 to +40°C, within 90% RH max.(without condensation)					
Vibration resistance [m/s ²]	24.5					
Mass [kg] () indicates brake-incorporated type.	4.4 (5.9)	5.2 (6.8)	6.3 (7.9)	11.0 (13.0)	13.5 (15.5)	16.0 (18.0)
Compliance with standards	UL/cUL (UL1004), CE marking (EN60034-1, EN60034-5), RoHS directive					

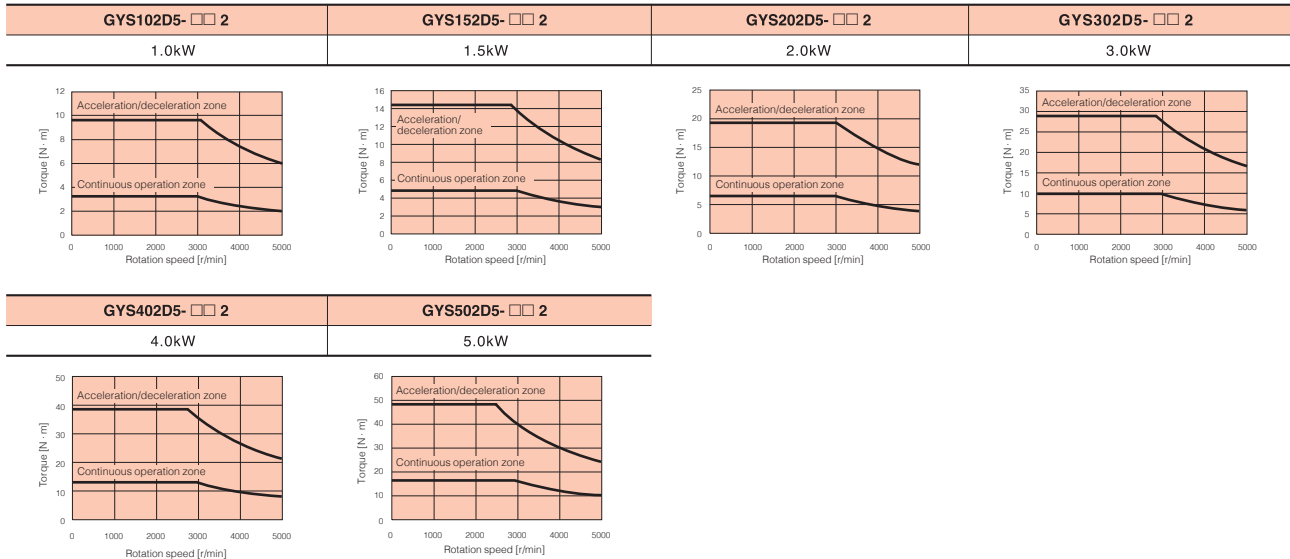
*1 If the motor is used in the environment rated to IP67 protection degree, use the wiring connector suitable for the protection degree.

*2 The vibration value is the property of flange type IMV1(L52).

Brake specification (motor equipped with a brake)

Motor type	GYS102D5 - □□ 2-B	GYS152D5 - □□ 2-B	GYS202D5 - □□ 2-B	GYS302D5 - □□ 2-B	GYS402D5 - □□ 2-B	GYS502D5 - □□ 2-B
Static friction torque [N · m]	6.86			17		
Rated DC voltage [V]	DC24±10%					
Attraction time [ms]	100			120		
Release time [ms]	40			30		
Power consumption [W]	17.7 (at 20°C)			12 (at 20°C)		

Torque characteristics diagrams (at 3-phase 200 [V] or single-phase 230 [V] source voltage)



These characteristics indicate typical values of each servomotor combined with the corresponding RYT type servo amplifier.

The rated torque indicates the value obtained when the servo amplifier is installed to the following aluminum heat sink.

- Model GYS102D, 152D, 202D: 350 × 350 × 8 [mm]
- Model GYS302D, 402D, 502D: 400 × 400 × 12 [mm]

Specifications of Servomotor

GYC Motor

Standard specifications

Motor type (-B) indicates the brake-incorporated type.	GYC101D5 - □□ 2 (-B)	GYC201D5 - □□ 2 (-B)	GYC401D5 - □□ 2 (-B)	GYC751D5 - □□ 2 (-B)	GYC102D5 - □□ 2 (-B)	GYC152D5 - □□ 2 (-B)	GYC202D5 - □□ 2 (-B)
Rated output [kW]	0.1	0.2	0.4	0.75	1.0	1.5	2.0
Rated torque [N · m]	0.318	0.637	1.27	2.39	3.18	4.78	6.37
Rated speed [r/min]	3000						
Max. speed [r/min]	6000*1				5000		
Max. torque [N · m]	0.955	1.91	3.82	7.17	9.55	14.3	19.1
Inertia [kg · m ²] () indicates brake-incorporated type.	0.0577×10 ⁻⁴ (0.0727×10 ⁻⁴)	0.213×10 ⁻⁴ (0.288×10 ⁻⁴)	0.408×10 ⁻⁴ (0.483×10 ⁻⁴)	1.21×10 ⁻⁴ (1.66×10 ⁻⁴)	3.19×10 ⁻⁴ (5.29×10 ⁻⁴)	4.44×10 ⁻⁴ (6.54×10 ⁻⁴)	5.69×10 ⁻⁴ (7.79×10 ⁻⁴)
Rated current [A]	1.0	1.5	2.6	4.8	6.7	9.6	12.6
Max. current [A]	3.0	4.5	7.8	14.4	20.1	28.8	37.8
Winding insulation class	Class B				Class F		
Degree of enclosure protection	Totally enclosed, self-cooled (IP 67, excluding the shaft sealing and connectors)				Totally enclosed, self-cooled (IP 67, excluding the shaft sealing)*2		
Terminals (motor)	Cable 0.3m (with connector)				Cannon connector		
Terminals (encoder)	Cable 0.3m (with connector)				Cannon connector		
Overheat protection	Not provided (The servo amplifier detects temperature.)						
Mounting method	By securing motor flange IMB5 (L51), IMV1 (L52), IMV3 (L53)						
Encoder	18-bit serial encoder (absolute/incremental), 20-bit serial encoder (incremental)						
Vibration level*3	V5 or below				Up to rated rotation speed: V10 or below Over rated rotation speed and up to 5000r/min: V15 or below		
Installation place, altitude and environment	For indoor use (free from direct sunlight), 1000m or below, locations without corrosive and flammable gases, oil mist and dust						
Ambient temperature, humidity	-10 to +40°C, within 90% RH max.(without condensation)						
Vibration resistance [m/s ²]	49				24.5		
Mass [kg] () indicates brake-incorporated type.	0.75 (1.0)	1.3 (1.9)	1.9 (2.6)	3.5 (4.3)	5.7 (8.0)	7.0 (9.8)	8.2 (11.0)
Compliance with standards	UL/cUL (UL1004), CE marking (EN60034-1, EN60034-5), RoHS directive						

*1 The maximum rotation speed is 5000r/min when using the motor in combination with Fuji's gear head.

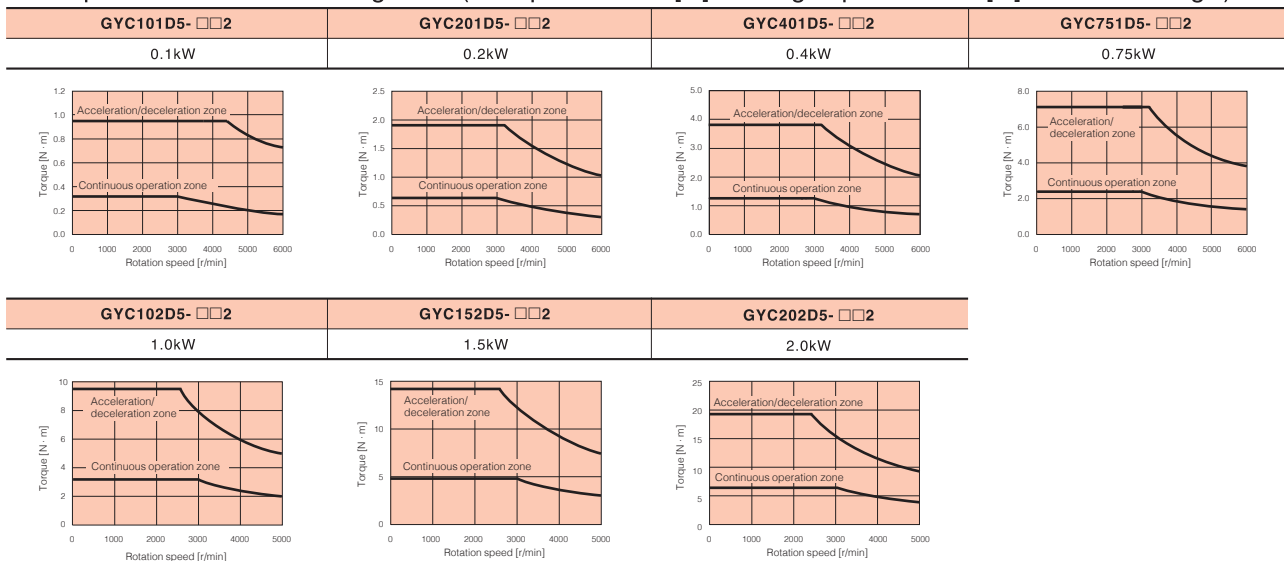
*2 If the motor is used in the environment rated to IP67 protection degree, use the wiring connector suitable for the protection degree.

*3 The vibration value is the property of flange type IMV1(L52).

Brake specification (motor equipped with a brake)

Motor type	GYC101D5 - □□ 2-B	GYC201D5 - □□ 2-B	GYC401D5 - □□ 2-B	GYC751D5 - □□ 2-B	GYC102D5 - □□ 2-B	GYC152D5 - □□ 2-B	GYC202D5 - □□ 2-B
Static friction torque [N · m]	0.318	0.637	1.27	2.39	3.18	4.78	6.37
Rated DC voltage [V]	DC24±10%						
Attraction time [ms]	60	80	80	50	120	120	120
Release time [ms]	40		80		30		
Power consumption [W]	6.5 (at 20°C)	9.0 (at 20°C)	8.5 (at 20°C)	12 (at 20°C)	12 (at 20°C)		

Torque characteristics diagrams (at 3-phase 200 [V] or single-phase 230 [V] source voltage)



These characteristics indicate typical values of each servomotor combined with the corresponding RYT type servo amplifier.

The rated torque indicates the value obtained when the servo amplifier is installed to the following aluminum heat sink.

- Model GYC101D, 201D, 401D: 250 × 250 × 6 [mm]
- Model GYC751D: 300 × 300 × 6 [mm]
- Model GYC102D: 300 × 300 × 12 [mm]
- Model GYC152D, 202D: 400 × 400 × 12 [mm]

Specifications of Servomotor

GYG Motor [2000r/min]

Standard specifications

Motor type (-B indicates the brake-incorporated type.)	GYG501C5 - □□ 2 (-B)	GYG751C5 - □□ 2 (-B)	GYG102C5 - □□ 2 (-B)	GYG152C5 - □□ 2 (-B)	GYG202C5 - □□ 2 (-B)
Rated output [kW]	0.5	0.75	1.0	1.5	2.0
Rated torque [N · m]	2.39	3.58	4.77	7.16	9.55
Rated speed [r/min]	2000				
Max. speed [r/min]	3000				
Max. torque [N · m]	7.2	10.7	14.3	21.5	28.6
Inertia [kg · m ²] () indicates brake-incorporated type.	7.96×10 ⁻⁴ (10.0×10 ⁻⁴)	11.55×10 ⁻⁴ (13.6×10 ⁻⁴)	15.14×10 ⁻⁴ (17.2×10 ⁻⁴)	22.33×10 ⁻⁴ (24.4×10 ⁻⁴)	29.51×10 ⁻⁴ (31.6×10 ⁻⁴)
Rated current [A]	3.5	5.2	6.4	10	12.3
Max. current [A]	10.5	15.6	19.2	30.0	36.9
Winding insulation class	Class F				
Degree of enclosure protection	Totally enclosed, self-cooled (IP 67, excluding the shaft sealing)*1				
Terminals (motor)	Cannon connector				
Terminals (encoder)	Cannon connector				
Overheat protection	Not provided (The servo amplifier detects temperature.)				
Mounting method	By securing motor flange IMB5 (L51), IMV1 (L52), IMV3 (L53)				
Encoder	18-bit serial encoder (absolute/incremental), 20-bit serial encoder (incremental)				
Vibration level*2	V10 or below				
Installation place, altitude and environment	For indoor use (free from direct sunlight), 1000m or below, locations without corrosive and flammable gases, oil mist and dust				
Ambient temperature, humidity	-10 to +40°C, within 90% RH max.(without condensation)				
Vibration resistance [m/s ²]	24.5				
Mass [kg] () indicates brake-incorporated type.	5.3 (7.5)	6.4 (8.6)	7.5 (9.7)	9.8 (12.0)	12.0 (14.2)
Compliance with standards	UL/cUL (UL1004), CE marking (EN60034-1, EN60034-5), RoHS directive				

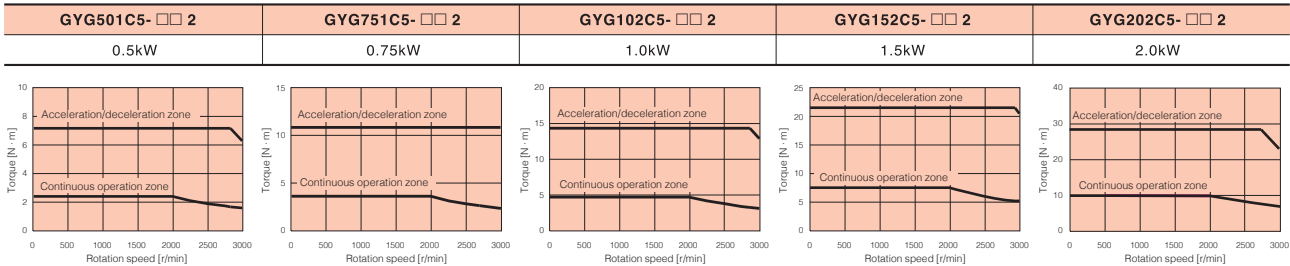
*1 If the motor is used in the environment rated to IP67 protection degree, use the wiring connector suitable for the protection degree.

*2 The vibration value is the property of flange type IMV1(L52).

Brake specification (motor equipped with a brake)

Motor type	GYG501C5 - □□ 2-B	GYG751C5 - □□ 2-B	GYG102C5 - □□ 2-B	GYG152C5 - □□ 2-B	GYG202C5 - □□ 2-B
Static friction torque [N · m]	17				
Rated DC voltage [V]	DC24±10%				
Attraction time [ms]	120				
Release time [ms]	30				
Power consumption [W]	12 (at 20°C)				

Torque characteristics diagrams (at 3-phase 200[V])



These characteristics indicate typical values of each servomotor combined with the corresponding RYT type servo amplifier.

The rated torque indicates the value obtained when the servo amplifier is installed to the following aluminum heat sink.

- Model GYG501C, 751C, 102C: 300 × 300 × 12 [mm]
- Model GYG152C, 202C: 400 × 400 × 12 [mm]

Specifications of Servomotor

GYG Motor [1500r/min]

Standard specifications

Motor type (-B) indicates the brake-incorporated type.	GYG501B5 - □□ 2 (-B)	GYG851B5 - □□ 2 (-B)	GYG132B5 - □□ 2 (-B)
Rated output [kW]	0.5	0.85	1.3
Rated torque [N · m]	3.18	5.41	8.28
Rated speed [r/min]	1500		
Max. speed [r/min]	3000		
Max. torque [N · m]	9.5	16.2	24.8
Inertia [kg · m ²] () indicates brake-incorporated type.	11.55×10 ⁻⁴ (13.6×10 ⁻⁴)	15.15×10 ⁻⁴ (17.3×10 ⁻⁴)	22.33×10 ⁻⁴ (24.5×10 ⁻⁴)
Rated current [A]	4.7	7.3	11.5
Max. current [A]	14.1	21.9	34.5
Winding insulation class	Class F		
Degree of enclosure protection	Totally enclosed, self-cooled (IP 67, excluding the shaft sealing)*1		
Terminals (motor)	Cannon connector		
Terminals (encoder)	Cannon connector		
Overheat protection	Not provided (The servo amplifier detects temperature.)		
Mounting method	By securing motor flange IMB5 (L51), IMV1 (L52), IMV3 (L53)		
Encoder	18-bit serial encoder (absolute/incremental), 20-bit serial encoder (incremental)		
Vibration level*2	V10 or below		
Installation place, altitude and environment	For indoor use (free from direct sunlight), 1000m or below, locations without corrosive and flammable gases, oil mist and dust		
Ambient temperature, humidity	-10 to +40°C, within 90% RH max.(without condensation)		
Vibration resistance [m/s ²]	24.5		
Mass [kg] () indicates brake-incorporated type.	6.4 (8.6)	7.5 (9.7)	9.8 (12.0)
Compliance with standards	UL/cUL (UL1004), CE marking (EN60034-1, EN60034-5), RoHS directive		

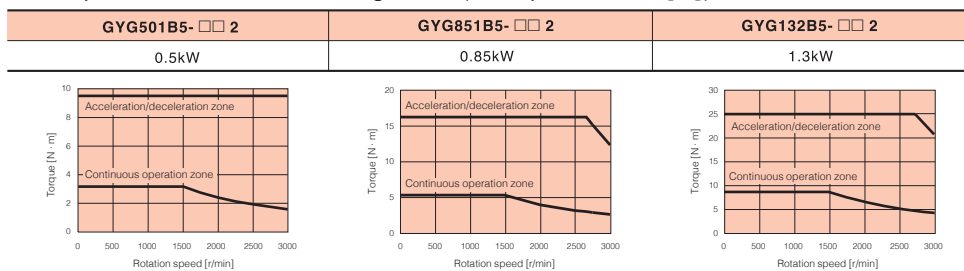
*1 If the motor is used in the environment rated to IP67 protection degree, use the wiring connector suitable for the protection degree.

*2 The vibration value is the property of flange type IMV1(L52).

Brake specification (motor equipped with a brake)

Motor type	GYG501B5 - □□ 2-B	GYG851B5 - □□ 2-B	GYG132B5 - □□ 2-B
Static friction torque [N · m]	17		
Rated DC voltage [V]	DC24±10%		
Attraction time [ms]	120		
Release time [ms]	30		
Power consumption [W]	12 (at 20°C)		

Torque characteristics diagrams (at 3-phase 200[V])



These characteristics indicate typical values of each servomotor combined with the corresponding RYT type servo amplifier.

The rated torque indicates the value obtained when the servo amplifier is installed to the following aluminum heat sink.

- Model GYG501B, 851B: 300 × 300 × 12 [mm]
- Model GYG132B: 400 × 400 × 12 [mm]

Specifications of Servomotor

GYB Motor

Standard specifications

Motor type (-B) indicates the brake-incorporated type.	GYB201D5 - □□ 2 (-B)	GYB401D5 - □□ 2 (-B)	GYB751D5 - □□ 2 (-B)
Rated output [kW]	0.2	0.4	0.75
Rated torque [N · m]	0.637	1.27	2.39
Rated speed [r/min]	3000		
Max. speed [r/min]	6000*1		
Max. torque [N · m]	1.91	3.82	7.17
Inertia [kg · m ²] () indicates brake-incorporated type.	0.24 × 10 ⁻⁴ (0.29 × 10 ⁻⁴)	0.42 × 10 ⁻⁴ (0.46 × 10 ⁻⁴)	1.43 × 10 ⁻⁴ (1.61 × 10 ⁻⁴)
Rated current [A]	1.5	2.7	5.2
Max. current [A]	4.5	8.1	15.6
Winding insulation class	Class B		
Degree of enclosure protection	Totally enclosed, self-cooled (IP 67, excluding the shaft-through)*2		
Terminals (motor)	0.3m cable		
Terminals (encoder)	0.3m cable		
Overheat protection	Not provided (The servo amplifier detects temperature.)		
Mounting method	By securing motor flange IMB5 (L51), IMV1 (L52), IMV3 (L53)		
Encoder	18-bit serial encoder (absolute/incremental), 20-bit serial encoder (incremental)		
Vibration level*3	V5 or below		
Installation place, altitude and environment	For indoor use (free from direct sunlight), 1000m or below, locations without corrosive and flammable gases, oil mist and dust		
Ambient temperature, humidity	-10 to +40°C, within 90% RH (without condensation)		
Vibration resistance [m/s ²]	49		
Mass [kg] () indicates brake-incorporated type.	1.0 (1.5)	1.5 (2.1)	3.0 (3.9)
Compliance with standards	UL/cUL (UL508c) (Some models are in the process to be certified), CE marking (low power directive EN61800-5-1), RoHS directive.		

*1 The max. speed of 5000r/min can be reached by using it with Fuji's gear head

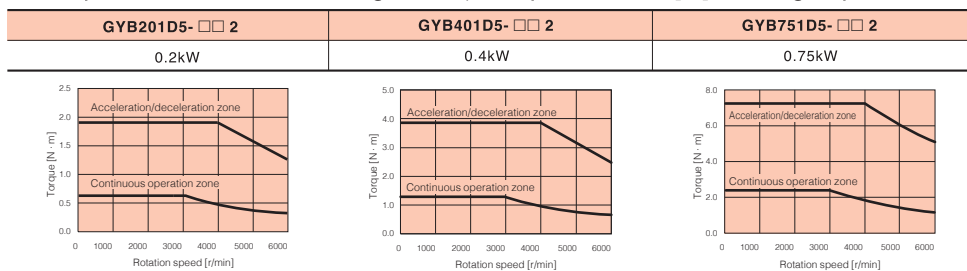
*2 Protection degree IP67 is initial value

*3 The vibration value is the property of flange type IMV1(L52).

Brake specification (motor equipped with a brake)

Motor type	GYB201D5 - □□ 2-B	GYB401D5 - □□ 2-B	GYB751D5 - □□ 2-B
Static friction torque [N · m]	1.27		2.45
Rated DC voltage [V]	DC24±10%		
Attraction time [ms]	40		60
Release time [ms]	20		25
Power consumption [W]	7.2 (at 20°C)		8.5 (at 20°C)

Torque characteristics diagrams (at 3-phase 200 [V] or single-phase 230 [V] source voltage)



These characteristics indicate typical values of each servomotor combined with the corresponding servo amplifier RYH series.

The rated torque indicates the value obtained when the servo amplifier is installed to the following aluminum heat sink.

- Model GYB201D, 401D: 250 × 250 × 6 [mm]
- Model GYB751D: 300 × 300 × 6 [mm]

Specifications of Servomotor

GYH Motor [2000r/min]

Standard specifications

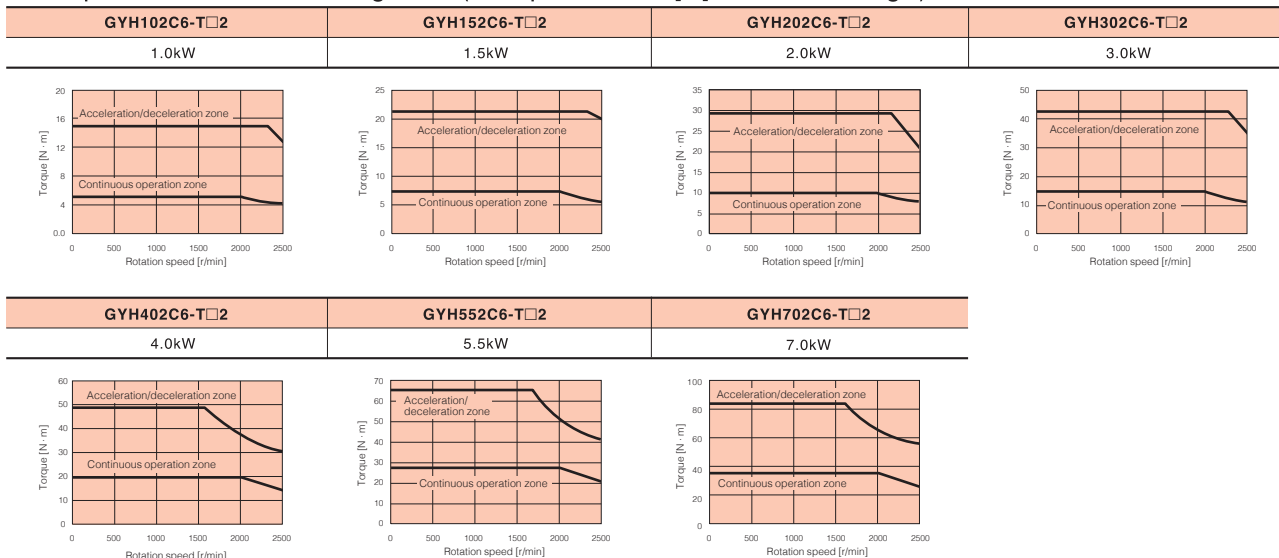
Motor type (-B) indicates the brake-incorporated type.	GYH-102 C6-T□2 (-B)	GYH-152 C6-T□2 (-B)	GYH202 C6-T□2 (-B)	GYH302 C6-T□2 (-B)	GYH402 C6-T□2 (-B)	GYH552 C6-T□2 (-B)	GYH702 C6-T□2 (-B)
Amplifier type	RYT751D5-□□2	RYT102D5-□□2	RYT152D5-□□2	RYT202D5-□□2	RYT302D5-□□2	RYT402D5-□□2	RYT502D5-□□2
Rated output [kW]	1.0	1.5	2.0	3.0	4.0	5.5	7.0
Rated torque [N·m]	4.77	7.16	9.55	14.32	19.10	26.226	33.42
Rated speed [r/min]	2000						
Max. speed [r/min]	2500						
Max. torque [N·m]	14.3	21.4	28.6	42.9	47.7	65.6	83.5
Inertia [kg·m ²] () indicates brake-incorporated type.	6.26×10 ⁻⁴ (6.96×10 ⁻⁴)	8.88×10 ⁻⁴ (9.58×10 ⁻⁴)	12.14×10 ⁻⁴ (12.84×10 ⁻⁴)	17.92×10 ⁻⁴ (18.62×10 ⁻⁴)	39.99×10 ⁻⁴ (40.80×10 ⁻⁴)	51.44×10 ⁻⁴ (52.31×10 ⁻⁴)	63.52×10 ⁻⁴ (67.36×10 ⁻⁴)
Rated current [A]	5.1	7.3	9	13.7	16	22.5	29
Max. current [A]	15.3	21.9	27	41.1	40.8	57.4	74.0
Winding insulation class	Class F						
Degree of enclosure protection	Totally enclosed, self-cooled (IP 67, excluding the shaft-through)*1						
Terminals (motor)	Cannon connector						
Terminals (encoder)	Cannon connector						
Overheat protection	Not provided (The servo amplifier detects temperature.)						
Mounting method	By securing motor flange IMB5 (L51), IMV1 (L52), IMV3 (L53)						
Encoder	17-bit serial encoder (incremental)						
Vibration level	V15 or below						
Installation place, altitude and environment	For indoor use (free from direct sunlight), 1000m or below, locations without corrosive and flammable gases, oil mist and dust						
Ambient temperature, humidity	0 to +40°C (there should be no freezing), within 90% RH (without condensation)						
Vibration resistance [m/s ²]	19.6						
Mass [kg] () indicates brake-incorporated type.	6.5 (8.1)	8.1 (9.7)	10.2 (11.8)	13.9 (15.5)	19.5 (23.0)	26.2 (30.0)	30.0 (34.8)

*1 If the motor is used in the environment rated to IP67 protection degree, use the wiring connector suitable for the protection degree.

Brake specification (motor equipped with a brake)

Motor type	GYH-102 C6-T□2 (-B)	GYH-152 C6-T□2 (-B)	GYH202 C6-T□2 (-B)	GYH302 C6-T□2 (-B)	GYH402 C6-T□2 (-B)	GYH552 C6-T□2 (-B)	GYH702 C6-T□2 (-B)
Static friction torque [N·m]	20			30		50	
Rated DC voltage [V]	DC24±10%				DC24±5%		
Attraction time [ms]	100			110		150	
Release time [ms]	27			5		40	
Power consumption [W]	19.5 (at 20°C)			23 (at 20°C)		27 (at 20°C)	

Torque characteristics diagrams (at 3-phase 200 [V] source voltage)



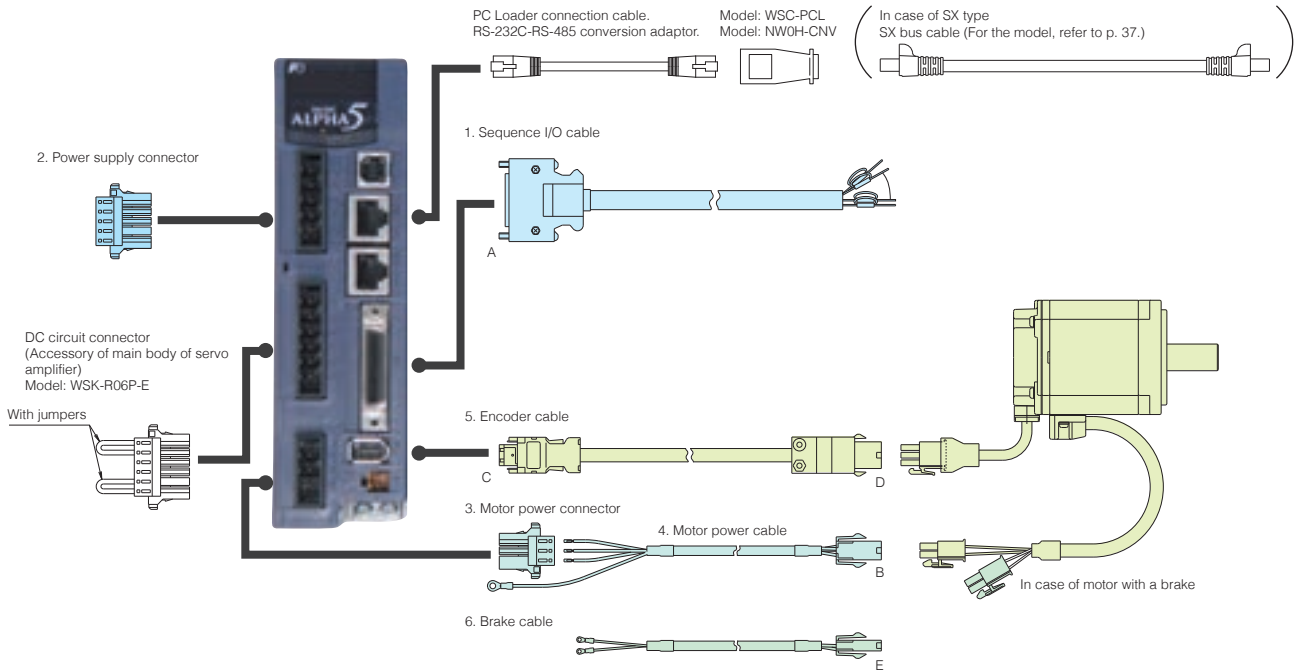
These characteristics indicate typical values of each servomotor combined with the corresponding servo amplifier RYT series.

The rated torque indicates the value obtained when the servo amplifier is installed to the following aluminum heat sink.

- Model GYH102,152,302: 400 × 400 × 12 [mm]
- Model GYH402,552,702: 600 × 600 × 25 [mm]

Option/Peripheral Equipment

<Example : 750W or less / 3000r/min>



Option

Basic option

Motor series	Rated speed	Brake	Rated output	1. Sequence I/O cable (between host and amplifier)	2. Power supply connector	3. Motor power connector (on amplifier side)	4. Motor power cable (between amplifier and motor)	5. Encoder cable (between amplifier and motor)	6. Brake cable	
GYS motor	3000r/min	Without a brake	0.05kW to 0.75kW	WSC-D36P03	WSK-S05P-E	WSK-M03P-E (Excluding 2kW)	WSC-M04P02-E	WSC-P06P02-E	—	
		With a brake					WSC-M04P05-E	WSC-P06P05-E	WSC-M02P02-E	
		Without a brake	1.0kW to 2.0kW				WSC-M04P10-E	WSC-P06P10-E	WSC-M02P05-E	
		With a brake	3.0kW to 5.0kW				WSC-M04P20-E	WSC-P06P20-E	WSC-M02P10-E	
GYC motor	3000r/min	Without a brake	0.05kW to 0.75kW		WSK-S05P-E	WSK-M03P-E (Excluding 2kW)	WSC-M04P02-E	WSC-P06P02-E	—	
		With a brake					WSC-M04P05-E	WSC-P06P05-E	WSC-M02P02-E	
		Without a brake	1.0kW to 2.0kW				WSC-M04P10-E	WSC-P06P10-E	WSC-M02P05-E	
		With a brake	3.0kW to 5.0kW				WSC-M04P20-E	WSC-P06P20-E	WSC-M02P10-E	
GYG motor	2000r/min	Without a brake	0.5kW to 1.0kW		WSK-S05P-E	WSK-M03P-E	*1	WSC-P06P05-C	—	
		With a brake	1.5kW to 2.0kW				*2		*No cable is required.	
	1500r/min	Without a brake	0.5kW to 0.85kW				*1		WSC-P06P10-C	—
		With a brake	1.3kW				*2			*No cable is required.
GYB motor	3000r/min	Without a brake	0.2kW, 0.4kW	WSK-S05P-E	WSK-M03P-E	WSC-M04P02-E	WSC-P06P02-E	WSC-M02P02-E		
		With a brake				WSC-M04P05-E	WSC-P06P05-E	WSC-M02P05-E		
		Without a brake	0.75kW			WSC-M04P10-E	WSC-P06P10-E	WSC-M02P10-E		
		With a brake	—			WSC-M04P20-E	WSC-P06P20-E	WSC-M02P20-E		
GYH motor	2000r/min	Without a brake	1.0kW to 2.0kW (Motor output)	WSC-D36P03	WSK-S05P-E	WSK-M03P-E	Prepared by Customer	WSC-P06P05-W	Prepared by Customer	
		With a brake						3.0kW to 7.0kW (Motor output)		WSC-P06P10-W
		Without a brake	—					WSC-P06P20-W		
		With a brake	—					—		

*1 The customer is requested to fabricate the cable using the connector for motor power (motor without brake): WSK-M04P-CA.

*2 The customer is requested to fabricate the cable using the connector for motor power (motor with brake): WSK-M06P-CA.

*3 The customer is requested to fabricate the cable using the connector for motor power (motor without brake): WSK-M04P-CB.

*4 The customer is requested to fabricate the cable using the connector for motor power (motor with brake): WSK-M06P-CB.

Option/Peripheral Equipment

Option

■ Connector kit * Use this connector if the customer fabricates the cable himself.

Motor series	Rated speed	Brake	Rated output	A Sequence I/O connector	B Motor power connector (on motor side)	Encoder connector		E Brake connector	
						C Amplifier side	D Motor side		
GYS motor (0.05~5.0kW) GYB motor (0.2~0.75kW)	3000r/min	Without a brake	0.05kW to 0.75kW	WSK-D36P	WSK-M04P-E	WSK-P06P-M	WSK-P09P-D	—	
		With a brake						WSK-M02P-E	
		Without a brake	1.0kW to 1.5kW					WSK-M04P-CA	—
		With a brake						WSK-M06P-CA	—
		Without a brake	2.0kW					WSK-M04P-CA	—
		With a brake						WSK-M06P-CA	—
Without a brake	3.0kW to 5.0kW	WSK-M04P-CB	—						
With a brake		WSK-M06P-CB	—						
GYC motor	3000r/min	Without a brake	0.05kW to 0.75kW		WSK-M04P-E		WSK-P06P-M	WSK-P09P-D	—
		With a brake			WSK-M02P-E				
		Without a brake	1.0kW to 1.5kW		WSK-M04P-CB				—
		With a brake			WSK-M06P-CB				—
		Without a brake	2.0kW	WSK-M04P-CB	—				
		With a brake		WSK-M06P-CB	—				
Without a brake	0.5kW to 1.0kW	WSK-M04P-CA	WSK-P06P-C	—					
With a brake		WSK-M06P-CA		—					
GYG motor	2000r/min	Without a brake		0.5kW to 1.0kW	WSK-M04P-CA	WSK-P06P-C	—	—	
		With a brake			WSK-M06P-CA			—	
		Without a brake		1.5kW to 2.0kW	WSK-M04P-CA			—	
	With a brake	WSK-M06P-CA			—				
	1500r/min	Without a brake	0.5kW to 0.85kW	WSK-M04P-CA	—				
		With a brake		WSK-M06P-CA	—				
Without a brake		1.3kW	WSK-M04P-CA	—					
With a brake	—	WSK-M06P-CA	—						

■ Recommended connectors for GYH motor

Motor series	Rated speed	Rated output	Brake	Selectable connector Installd on motor (for reference)	Motor power connector		F. Brake connector		Encoder connector (on motor side)	
					Connector	Cable clamp	Connector	Cable clamp	Connector	Cable clamp
GYH motor	2000r/min	1.0kW to 3.0kW	W/o	MS3102A20-4P	MS3108B20-4S	MS3057-12A	—	—	MS3108B20-18S	MS3057-12A
			W/	MS3102A20-15P	MS3108B20-15S *1		—	—		
		4.0kW to 7.0kW	W/o	MS3102A32-17P	MS3108B32-17S	MS3057-20A	—	—		
			W/	Power MS3102A32-17P Brake power supply MS3102A10SL-3P			MS3106B10SL-3S	MS3057-4A		

*1 The GYH type is a standard specification motor equipped with a key.

Peripheral equipment

Rated speed	Input power supply	Servo amplifier type	Output of applied motor [kW]	Power supply capacity [kVA]	Input current [A]	Power filter	AC reactor	DC reactor	Molded case circuit breaker	Ground fault interrupter	Electromagnetic contactor
3000r/min	Single-phase 100V	RYT500D5-□□6	0.05	0.1	1.5	RNFTC06-20	ACR2-0.4A	DCR2-0.4	EA32AC/3	EG32AC/3	SC-03
		RYT101D5-□□6	0.1	0.2	2.6	RNFTC10-20	ACR2-0.75A	DCR2-0.75	EA32AC/5	EG32AC/5	
		RYT201D5-□□6	0.2	0.4	4.8		ACR2-1.5A	DCR2-1.5	EA32AC/10	EG32AC/10	
		RYT401D5-□□6	0.375	0.8	8.7	ACR2-2.2A	DCR2-2.2	EA32AC/15	EG32AC/15		
		RYT500D5-□□2	0.05	0.1	0.7	RNFTC20-20	ACR2-0.4A	DCR2-0.4	EA32AC/3	EG32AC/3	
		RYT101D5-□□2	0.1	0.2	1.3		ACR2-0.75A	DCR2-0.75	EA32AC/5	EG32AC/5	
	Single-phase 200V	RYT201D5-□□2	0.2	0.4	2.4	RNFTC10-20	ACR2-1.5A	DCR2-1.5	EA32AC/10	EG32AC/10	SC-03
		RYT401D5-□□2	0.4	0.8	4.7		ACR2-2.2A	DCR2-2.2	EA32AC/15	EG32AC/15	
		RYT751D5-□□2	0.75	1.5	8.6	ACR2-3.7A	DCR2-3.7	EA32AC/30	EG32AC/30	SC-0	
		RYT500D5-□□2	0.05	0.1	0.4	RNFTC06-20	ACR2-0.4A	DCR2-0.4	EA33AC/3		EG33AC/3
		RYT101D5-□□2	0.1	0.2	0.7		ACR2-0.75A	DCR2-0.75	EA33AC/5	EG33AC/5	
		RYT201D5-□□2	0.2	0.4	1.4	RNFTC10-20	ACR2-1.5A	DCR2-1.5	EA33AC/10	EG33AC/10	
		RYT401D5-□□2	0.4	0.8	2.7		ACR2-2.2A	DCR2-2.2	EA33AC/15	EG33AC/15	
		RYT751D5-□□2	0.75	1.5	5.0	RNFTC20-20	ACR2-3.7A	DCR2-3.7	EA33AC/30	EG33AC/30	SC-4-1
		RYT152D5-□□2	1.5	2.9	9.8		ACR2-5.5A	DCR2-5.5	EA53AC/40	EG53AC/40	
		RYT202D5-□□2	2.0	3.9	13.0	ACR2-7.5A	DCR2-7.5	EA53AC/50	EG53AC/50	SC-N1	
RYT302D5-□□2	3.0	5.9	19.5	ACR2-11A	DCR2-11	EA53AC/50	EG53AC/50				
RYT402D5-□□2	4.0	7.8	26.0	ACR2-15A	DCR2-15	EA53AC/50	EG53AC/50	SC-N2			
RYT502D5-□□2	5.0	9.8	32.5	ACR2-2.2A	DCR2-2.2	EA32AC/10	EG32AC/10				
2000r/min	Single-phase 200V	RYT501C5-□□2	0.5	1.0	5.8	RNFTC10-20	ACR2-1.5A	DCR2-1.5	EA32AC/10	EG32AC/10	SC-03
		RYT751C5-□□2	0.75	1.5	8.6	RNFTC20-20	ACR2-2.2A	DCR2-2.2	EA32AC/15	EG32AC/15	SC-0
	3-phase 200V	RYT501C5-□□2	0.5	1.0	3.3	RNFTC06-20	ACR2-0.75A	DCR2-0.75	EA33AC/10	EG33AC/10	SC-03
		RYT751C5-□□2	0.75	1.5	5.0	RNFTC10-20	ACR2-1.5A	DCR2-1.5	EA33AC/15	EG33AC/15	
		RYT102C5-□□2	1.0	2.0	6.6		ACR2-2.2A	DCR2-2.2	EA33AC/20	EG33AC/20	
		RYT152C5-□□2	1.5	2.9	9.8	ACR2-3.7A	DCR2-3.7	EA33AC/30	EG33AC/30		
RYT202C5-□□2	2.0	3.9	13.0	RNFTC20-20	ACR2-3.7A	DCR2-3.7	EA33AC/30	EG33AC/30	SC-4-1		
1500r/min	Single-phase 200V	RYT501B5-□□2	0.5	1.0	5.8	RNFTC10-20	ACR2-1.5A	DCR2-1.5	EA32AC/10	EG32AC/10	SC-03
		RYT751B5-□□2	0.75	1.5	8.6	RNFTC20-20	ACR2-2.2A	DCR2-2.2	EA32AC/15	EG32AC/15	SC-0
	3-phase 200V	RYT501B5-□□2	0.5	1.0	3.3	RNFTC06-20	ACR2-0.75A	DCR2-0.75	EA33AC/10	EG33AC/10	SC-03
		RYT851B5-□□2	0.85	1.7	5.6	RNFTC10-20	ACR2-1.5A	DCR2-1.5	EA33AC/15	EG33AC/15	
RYT132B5-□□2	1.3	2.6	8.5	RNFTC20-20	ACR2-2.2A	DCR2-2.2	EA33AC/15	EG33AC/15	SC-0		

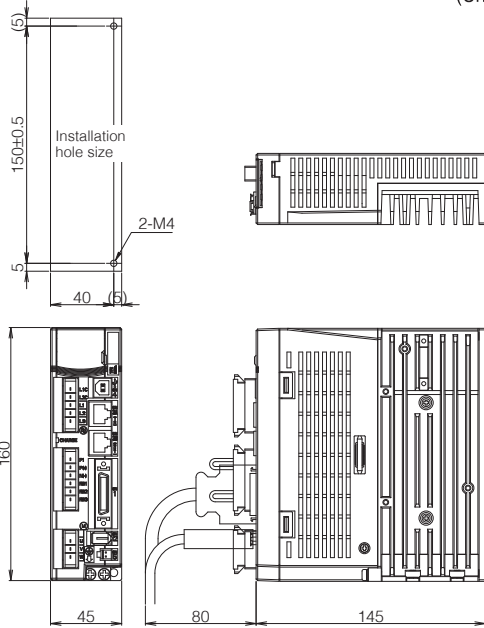
External Dimensions

Servo amplifier

Frame 1

Power supply	Rated speed	Applicable motor output	Type
100V series	3000r/min	0.05kW	RYT500D5-□□ 6
		0.1kW	RYT101D5-□□ 6
0.05kW		RYT500D5-□□ 2	
0.1kW		RYT101D5-□□ 2	
200V series		0.2kW	RYT201D5-□□ 2

(Unit: mm)

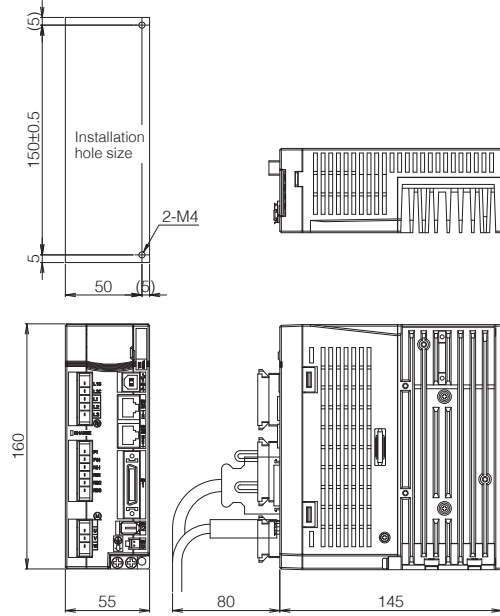


[Mass: 0.7kg]

Frame 2

Power supply	Rated speed	Applicable motor output	Type
100V series	3000r/min	0.2kW	RYT201D5-□□ 6
200V series		0.4kW	RYT401D5-□□ 2

(Unit: mm)

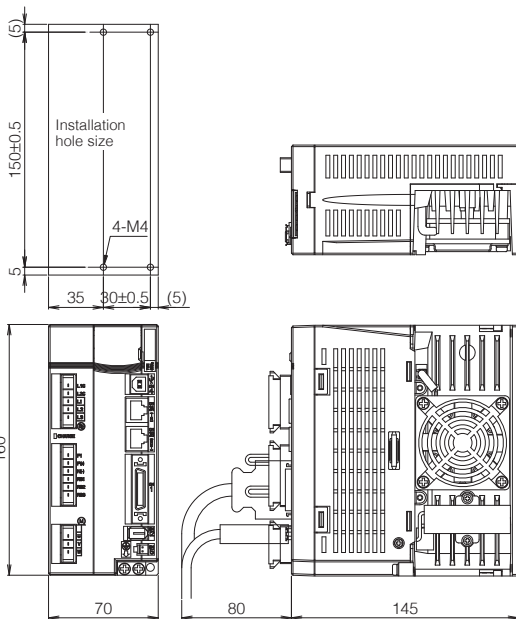


[Mass: 0.9kg]

Frame 3

Power supply	Rated speed	Applicable motor output	Type
100V series	3000r/min	0.375kW	RYT401D5-□□ 6
	1500r/min	0.5kW	RYT501B5-□□ 2
200V series	2000r/min	0.5kW	RYT501C5-□□ 2
		0.75kW	RYT751C5-□□ 2
	3000r/min	0.75kW	RYT751D5-□□ 2

(Unit: mm)

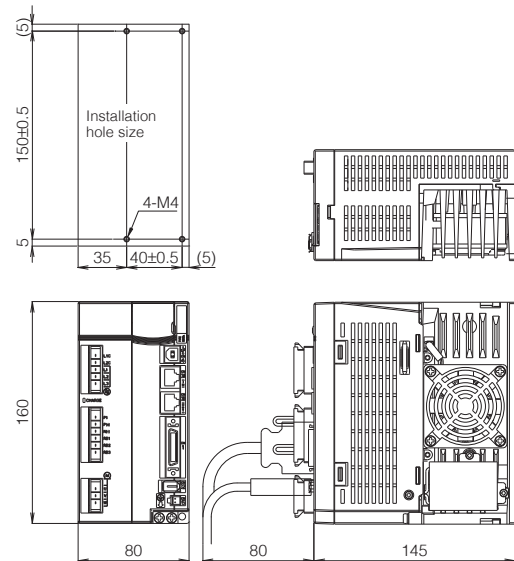


[Mass: 1.3kg]

Frame 4

Rated speed	Applicable motor output	Type
1500r/min	0.85kW	RYT851B5-□□ 2
2000r/min	1.0kW	RYT102C5-□□ 2
3000r/min	1.0kW	RYT102D5-□□ 2
	1.5kW	RYT152D5-□□ 2

(Unit: mm)



[Mass: 1.4kg]

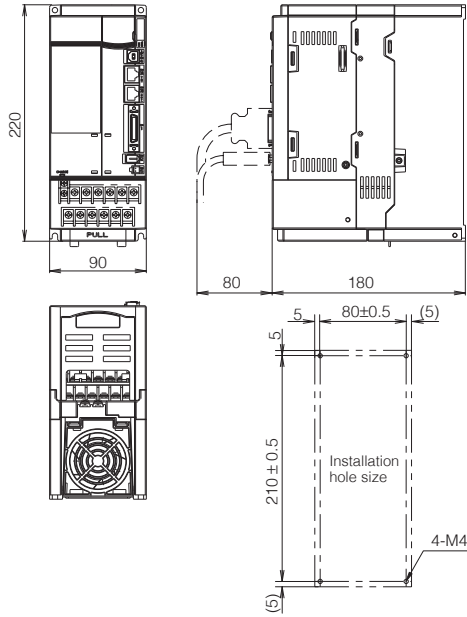
External Dimensions

Servo amplifier

■ Frame 5

Rated speed	Applicable motor output	Type	Mass
1500r/min	1.3kW	RYT132B5- □□ 2	2.9kg
2000r/min	1.5kW	RYT152C5- □□ 2	
3000r/min	2.0kW	RYT202C5- □□ 2	2.6kg
	2.0kW	RYT202D5- □□ 2	
	3.0kW	RYT302D5- □□ 2	

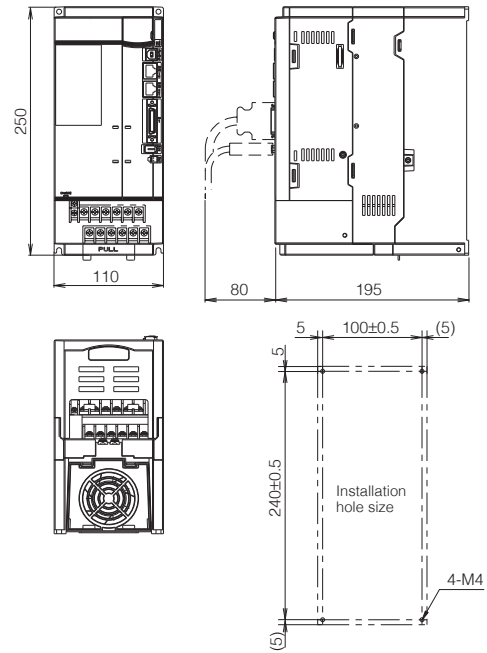
(Unit: mm)



■ Frame 6

Rated speed	Applicable motor output	Type
3000r/min	4.0kW	RYT402D5- □□ 2
	5.0kW	RYT502D5- □□ 2

(Unit: mm)

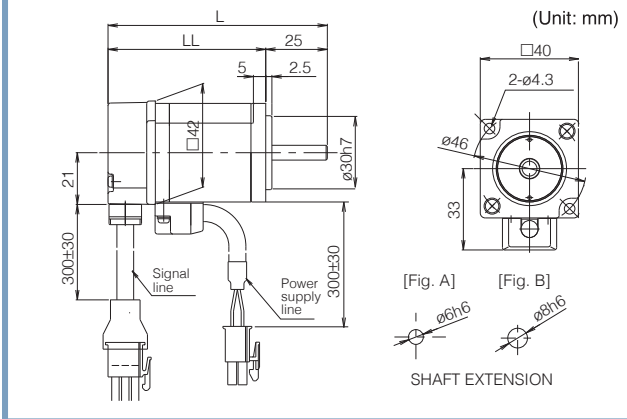


[Mass: 3.8kg]

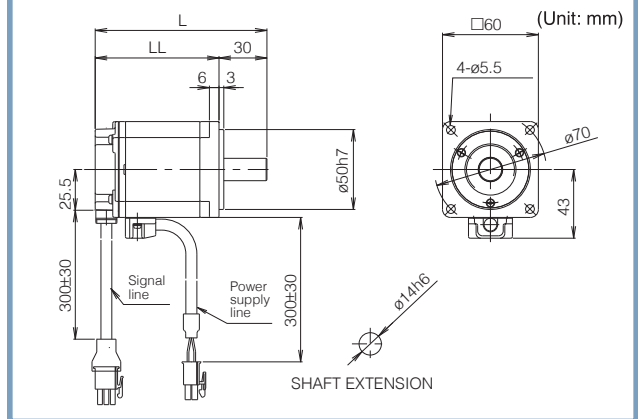
External Dimensions

GYS Motor

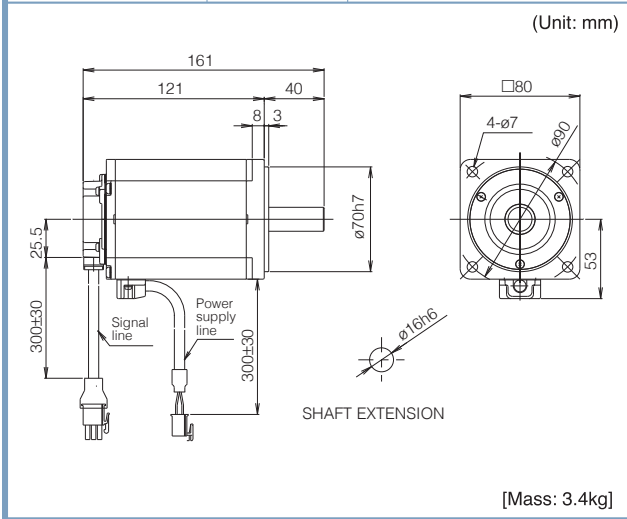
Power supply	Rated speed	Rated output	Type	Shaft shape	Over length	Dimensions(flange)		Mass [kg]
						L	LL	
100V series	3000r/min	0.05kW	GYS500D5-□ B6	Fig. A	89	64	0.45	
		0.1kW	GYS101D5-□ B6	Fig. B	107	82	0.55	
200V series	3000r/min	0.05kW	GYS500D5-□ B2	Fig. A	89	64	0.45	
		0.1kW	GYS101D5-□ B2	Fig. B	107	82	0.55	



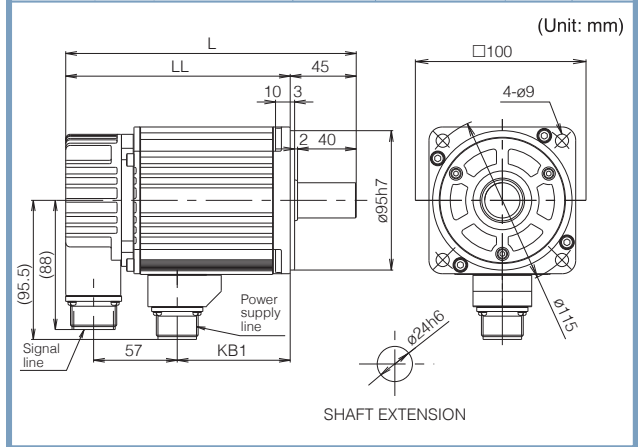
Power supply	Rated speed	Rated output	Type	Over length	Dimensions(flange)		Mass [kg]
					L	LL	
100V series	3000r/min	0.2kW	GYS201D5-□ B6	107.5	77.5	1.2	
		0.375kW	GYS401D5-□ B6	135.5	105.5	1.8	
200V series	3000r/min	0.2kW	GYS201D5-□ B2	107.5	77.5	1.2	
		0.4kW	GYS401D5-□ B2	135.5	105.5	1.8	



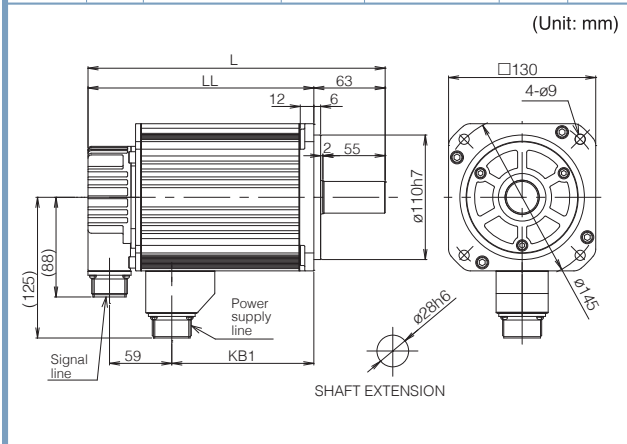
Rated speed	Rated output	Type
3000r/min	0.75kW	GYS751D5-□ B2



Rated speed	Rated output	Type	Over length	Dimensions(flange)		Terminal	Mass [kg]
				L	LL		
3000r/min	1kW	GYS102D5-□ B2	198	153	77	4.4	
	1.5kW	GYS152D5-□ B2	220.5	175.5	99.5	5.2	
	2kW	GYS202D5-□ B2	243	198	122	6.3	



Rated speed	Rated output	Type	Over length	Dimensions(flange)		Terminal	Mass [kg]
				L	LL		
3000r/min	3kW	GYS302D5-□ B2	262.5	199.5	125.5	11	
	4kW	GYS402D5-□ B2	292.5	229.5	155.5	13.5	
	5kW	GYS502D5-□ B2	322.5	259.5	185.5	16	

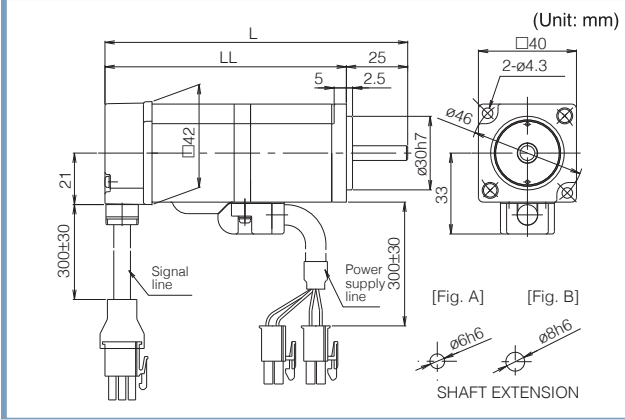


* See page 38 for the shaft extension specifications of the motor with a key.

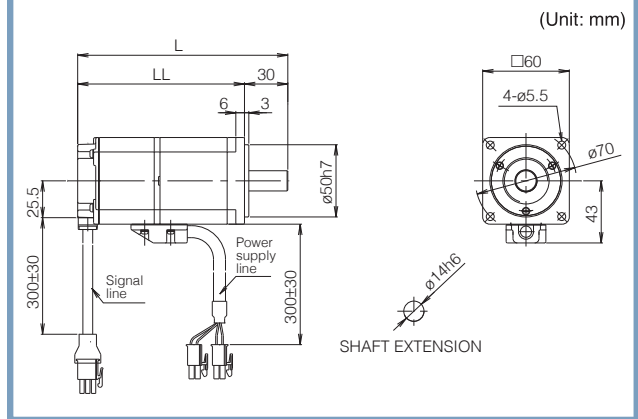
External Dimensions

GYS Motor (With a brake)

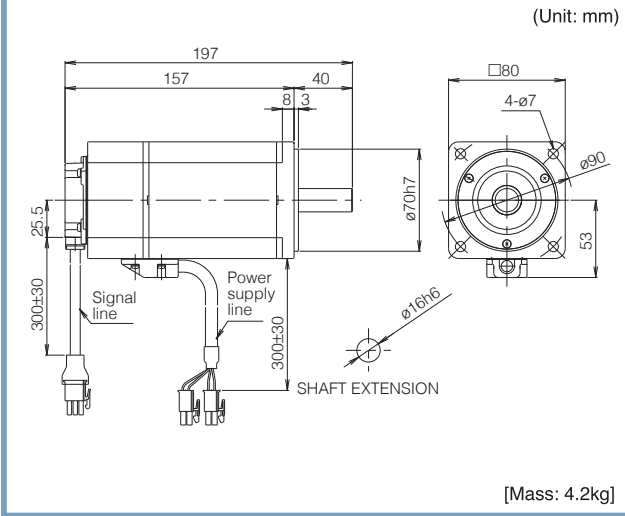
Power supply	Rated speed	Rated output	Type	Shaft shape	Over length L	Dimensions(flange) LL	Mass [kg]
100V series	3000r/min	0.05kW	GYS500D5-□ B6-B	Fig. A	123.5	98.5	0.62
		0.1kW	GYS101D5-□ B6-B	Fig. B	141.5	116.5	0.72
200V series	3000r/min	0.05kW	GYS500D5-□ B2-B	Fig. A	123.5	98.5	0.62
		0.1kW	GYS101D5-□ B2-B	Fig. B	141.5	116.5	0.72



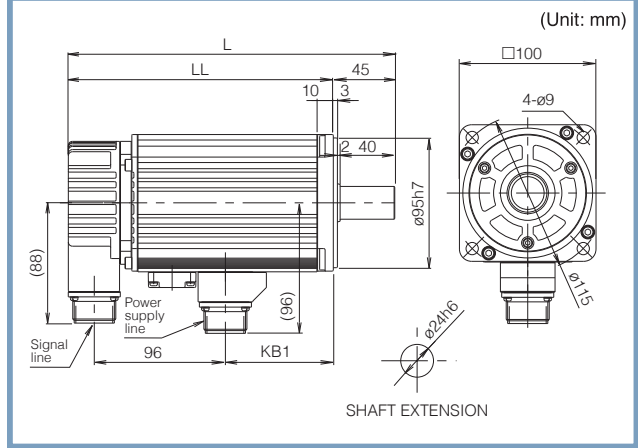
Power supply	Rated speed	Rated output	Type	Over length L	Dimensions(flange) LL	Mass [kg]
100V series	3000r/min	0.2kW	GYS201D5-□ B6-B	145.5	115.5	1.7
		0.375kW	GYS401D5-□ B6-B	173.5	143.5	2.3
200V series	3000r/min	0.2kW	GYS201D5-□ B2-B	145.5	115.5	1.7
		0.4kW	GYS401D5-□ B2-B	173.5	143.5	2.3



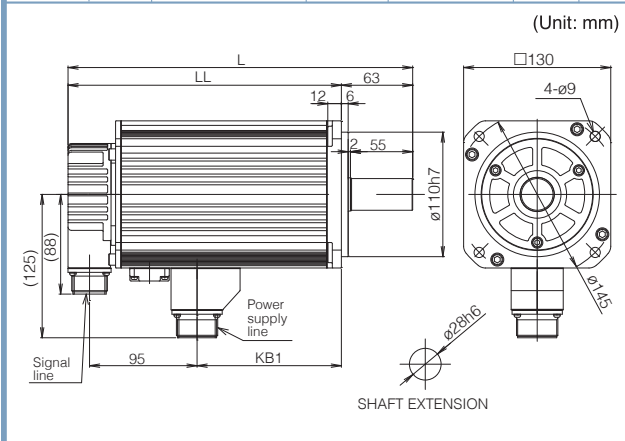
Rated speed	Rated output	Type
3000r/min	0.75kW	GYS751D5-□ B2-B



Rated speed	Rated output	Type	Over length L	Dimensions(flange) LL	Terminal KB1	Mass [kg]
3000r/min	1kW	GYS102D5-□ B2-B	239	194	79	5.9
	1.5kW	GYS152D5-□ B2-B	261.5	216.5	101.5	6.8
	2kW	GYS202D5-□ B2-B	284	239	124	7.9



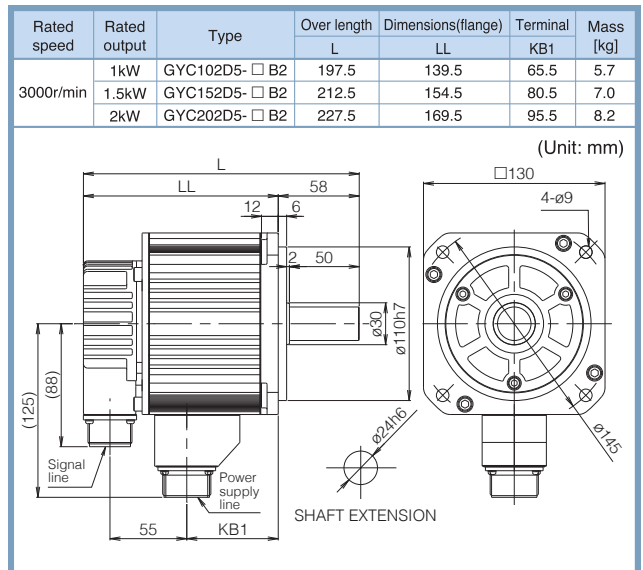
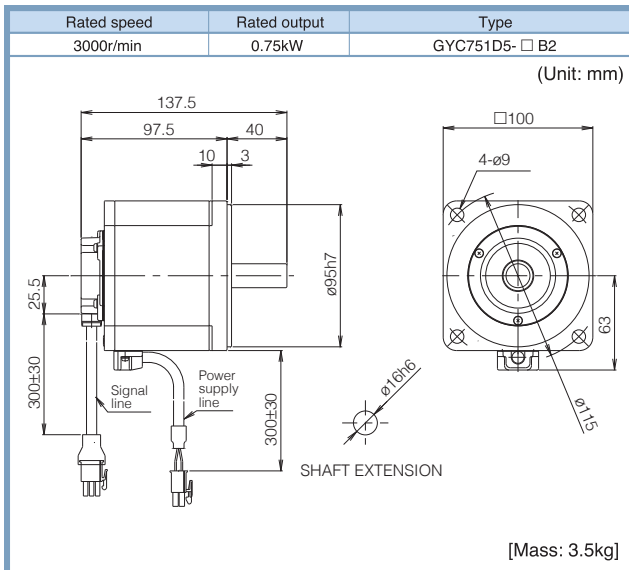
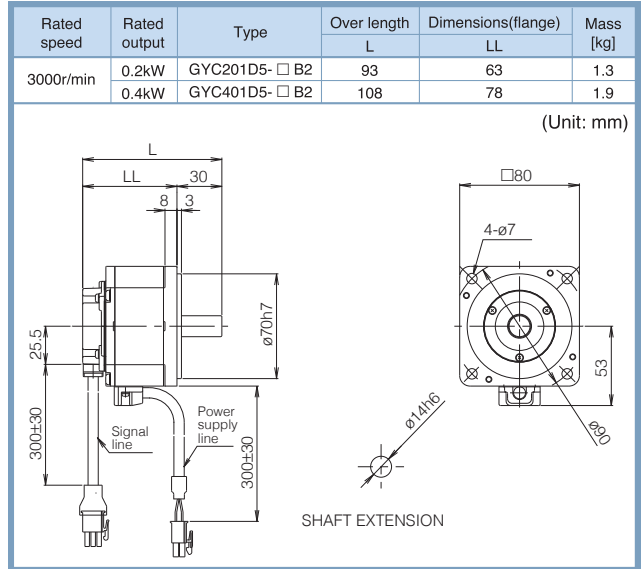
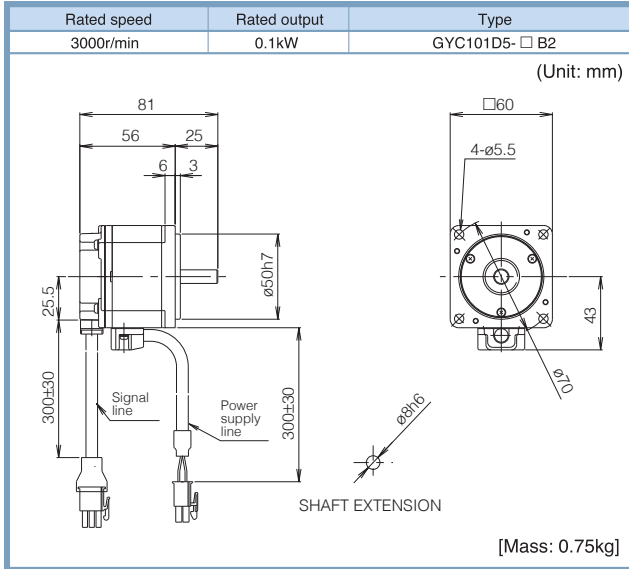
Rated speed	Rated output	Type	Over length	Dimensions(flange)	Terminal	Mass [kg]
			L	LL	KB1	
3000r/min	3kW	GYS302D5-□ B2-B	304.5	241.5	127.5	13
	4kW	GYS402D5-□ B2-B	334.5	271.5	157.5	15.5
	5kW	GYS502D5-□ B2-B	364.5	301.5	187.5	18



* See page 38 for the shaft extension specifications of the motor with a key.

External Dimensions

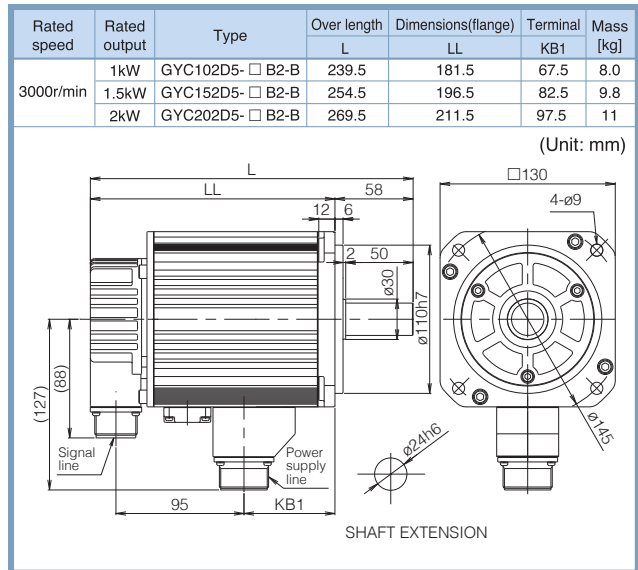
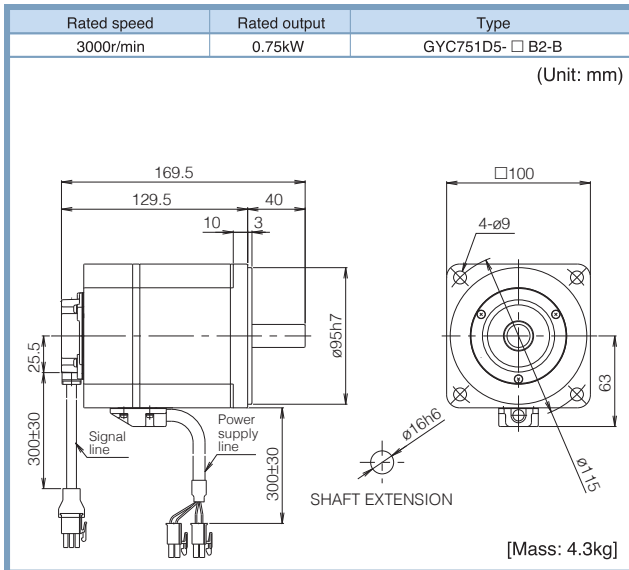
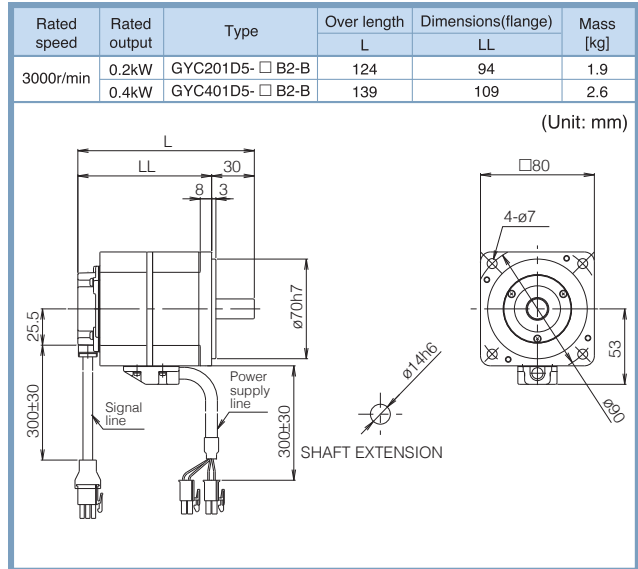
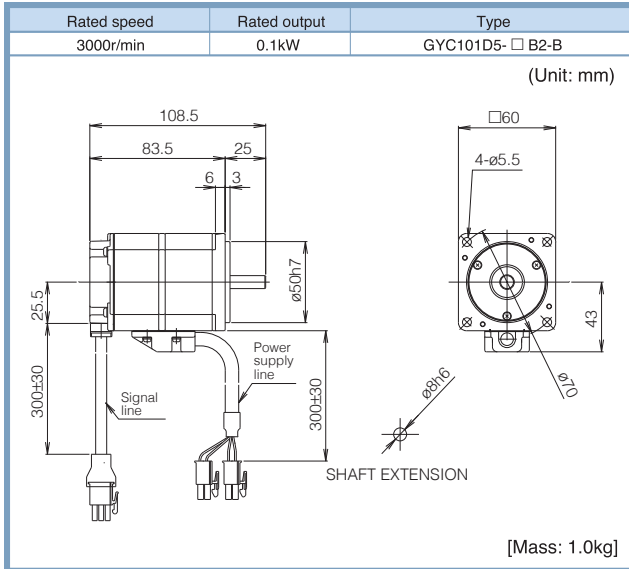
GYC Motor



* See page 38 for the shaft extension specifications of the motor with a key.

External Dimensions

GYC Motor (With a brake)



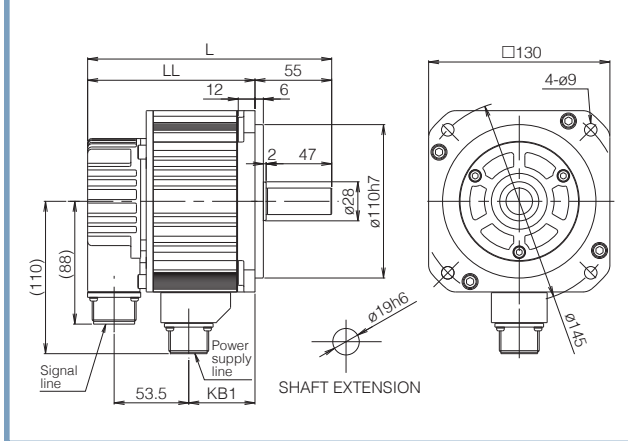
* See page 38 for the shaft extension specifications of the motor with a key.

External Dimensions

GYG Motor [2000r/min]

Rated speed	Rated output	Type	Over length		Terminal KB1	Mass [kg]
			L	LL		
2000r/min	0.5kW	GYG501C5-□ B2	175	120	47.5	5.3
	0.75kW	GYG751C5-□ B2	187.5	132.5	60	6.4

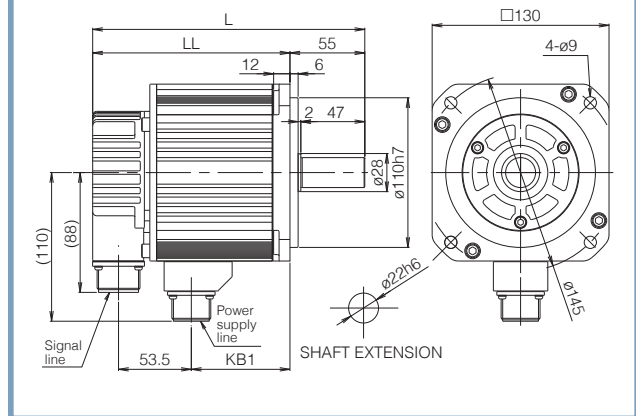
(Unit: mm)



* See page 38 for the shaft extension specifications of the motor with a key.

Rated speed	Rated output	Type	Over length		Terminal KB1	Mass [kg]
			L	LL		
2000r/min	1kW	GYG102C5-□ B2	200	145	72.5	7.5
	1.5kW	GYG152C5-□ B2	225	170	97.5	9.8
	2kW	GYG202C5-□ B2	250	195	122.5	12

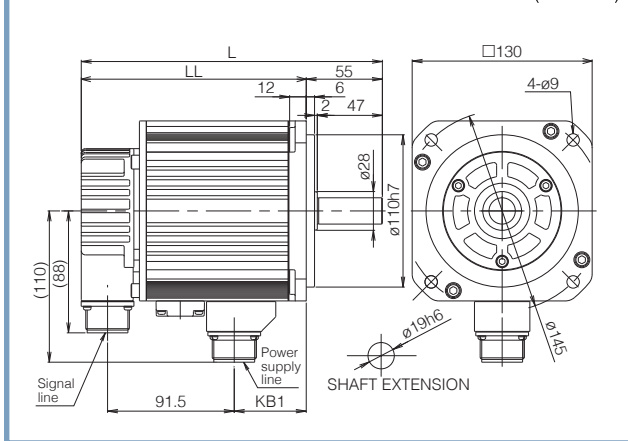
(Unit: mm)



GYG Motor [2000r/min] (With a brake)

Rated speed	Rated output	Type	Over length		Terminal KB1	Mass [kg]
			L	LL		
2000r/min	0.5kW	GYG501C5-□ B2-B	217.5	162.5	52	7.5
	0.75kW	GYG751C5-□ B2-B	230	175	64.5	8.6

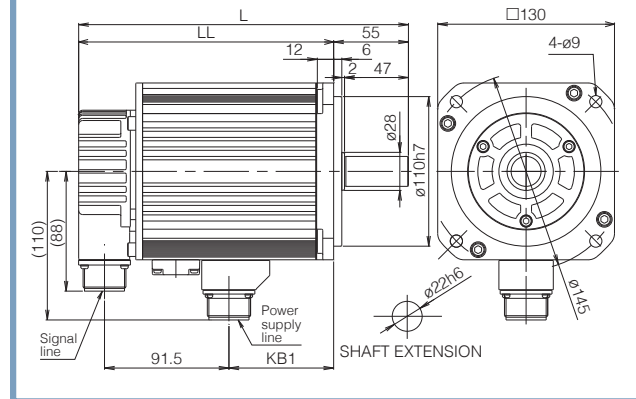
(Unit: mm)



* See page 38 for the shaft extension specifications of the motor with a key.

Rated speed	Rated output	Type	Over length		Terminal KB1	Mass [kg]
			L	LL		
2000r/min	1kW	GYG102C5-□ B2-B	242.5	187.5	77	9.7
	1.5kW	GYG152C5-□ B2-B	267.5	212.5	102	12
	2kW	GYG202C5-□ B2-B	292.5	237.5	127	14.2

(Unit: mm)

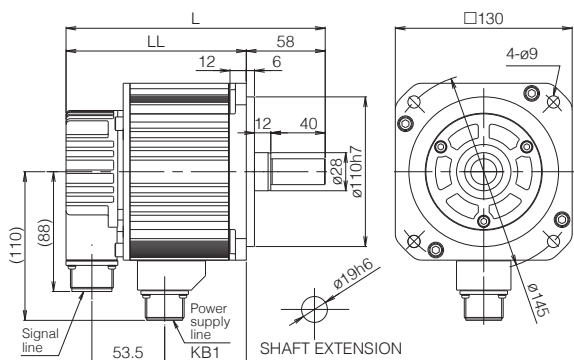


External Dimensions

GYG Motor [1500r/min]

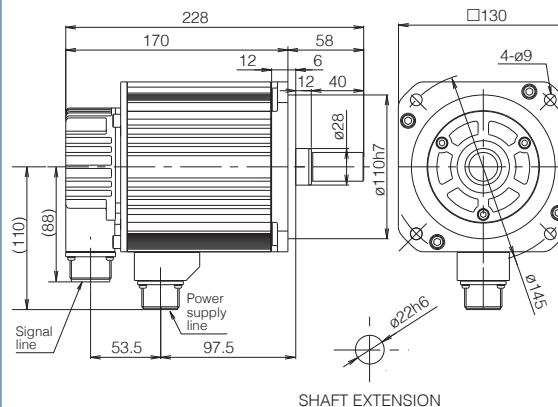
Rated speed	Rated output	Type	Over length	Dimensions(flange)		Terminal	Mass [kg]
			L	LL	KB1		
1500r/min	0.5kW	GYG501B5-□B2	190.5	132.5	60	6.4	
	0.85kW	GYG851B5-□B2	203	145	72.5	7.5	

(Unit: mm)



Rated speed	Rated output	Type
1500r/min	1.3kW	GYG132B5-□B2

(Unit: mm)



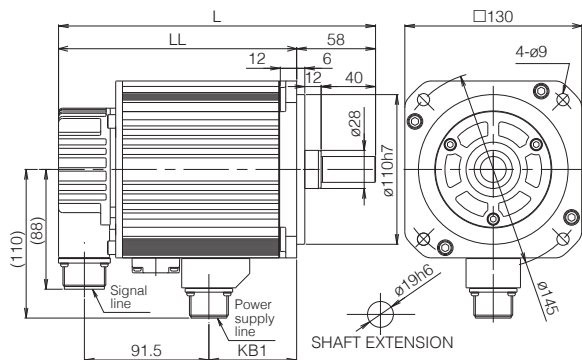
[Mass: 9.8kg]

* See page 38 for the shaft extension specifications of the motor with a key.

GYG Motor [1500r/min] (With a brake)

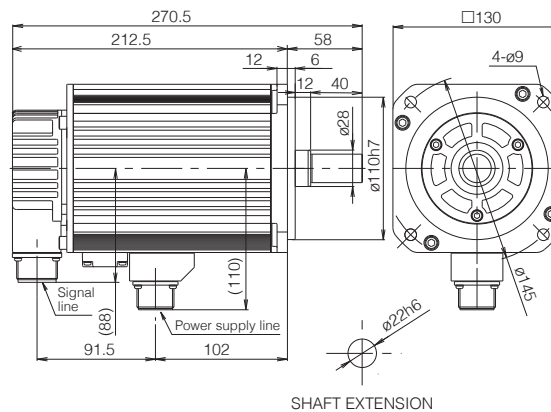
Rated speed	Rated output	Type	Over length	Dimensions(flange)		Terminal	Mass [kg]
			L	LL	KB1		
1500r/min	0.5kW	GYG501B5-□B2-B	233	175	64.5	8.6	
	0.85kW	GYG851B5-□B2-B	245.5	187.5	77	9.7	

(Unit: mm)



Rated speed	Rated output	Type
1500r/min	1.3kW	GYG132B5-□B2-B

(Unit: mm)

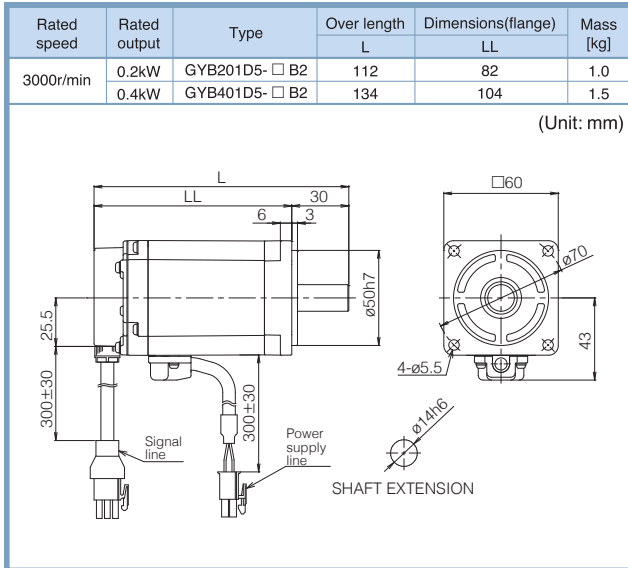


[Mass: 12kg]

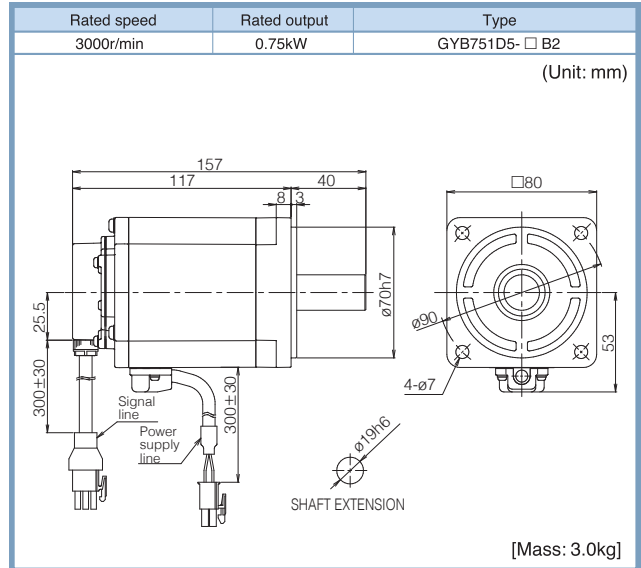
* See page 38 for the shaft extension specifications of the motor with a key.

External Dimensions

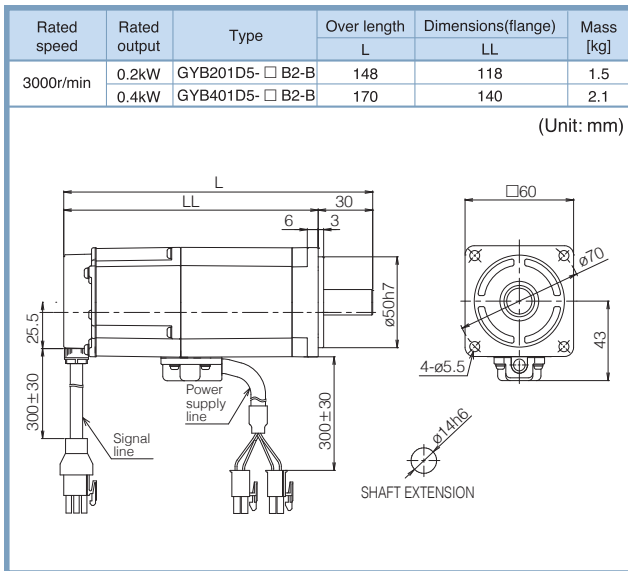
GYB Motor



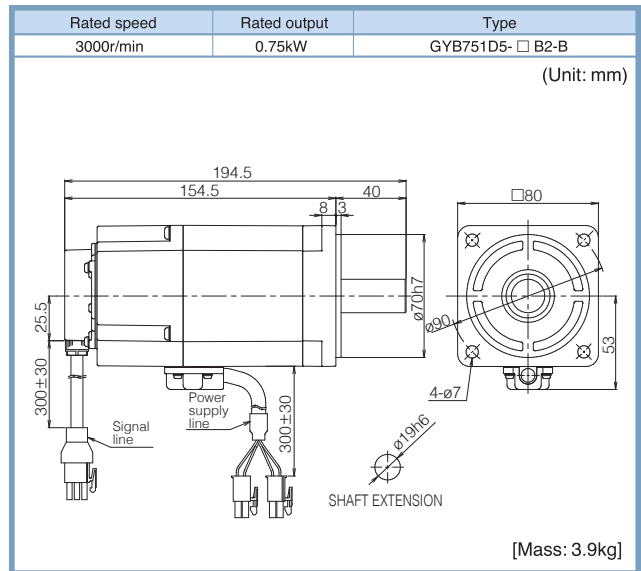
* See page 38 for the shaft extension specifications of the motor with a key.



GYB Motor (With a brake)



* See page 38 for the shaft extension specifications of the motor with a key.

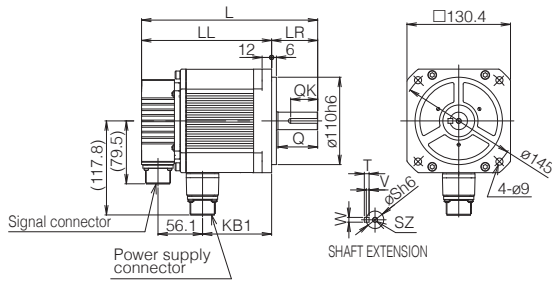


External Dimensions

GYH Motor

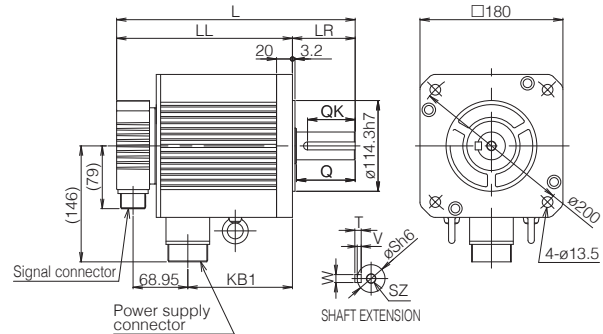
Rated speed	Rated output	Type	Over length	Dimensions(flange)	Mass [kg]
			L	LL	
2000r/min	1.0kW	GYH102C6-T□2	22.8	163.8	6.5
	1.5kW	GYH152C6-T□2	241.8	183.8	8.1
	2.0kW	GYH202C6-T□2	271.8	213.8	10.2
	3.0kW	GYH302C6-T□2	321.8	263.8	13.9

(Unit: mm)



Rated speed	Rated output	Type	Over length	Dimensions(flange)	Mass [kg]
			L	LL	
2000r/min	4.0kW	GYH402C6-T□2	332.4	253.4	19.5
	5.5kW	GYH552C6-T□2	361.4	282.4	26.2
	7.0kW	GYH702C6-T□2	409.4	296.4	30.3

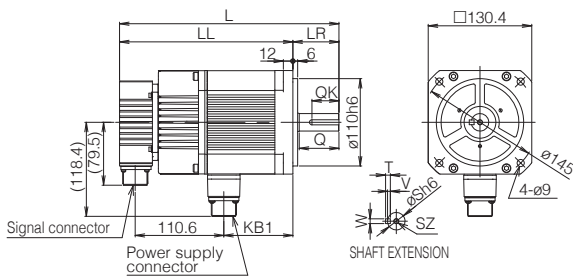
(Unit: mm)



GYH Motor (With a brake)

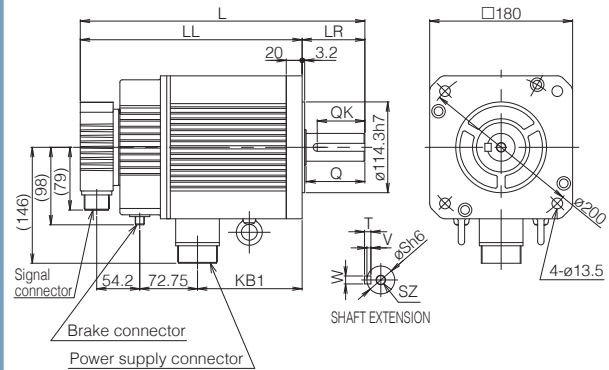
Rated speed	Rated output	Type	Over length	Dimensions(flange)	Mass [kg]
			L	LL	
2000r/min	1.0kW	GYH102C6-T□2-B	276.3	218.3	8.1
	1.5kW	GYH152C6-T□2-B	296.3	238.3	9.7
	2.0kW	GYH202C6-T□2-B	326.3	268.3	11.8
	3.0kW	GYH302C6-T□2-B	376.3	318.3	15.5

(Unit: mm)



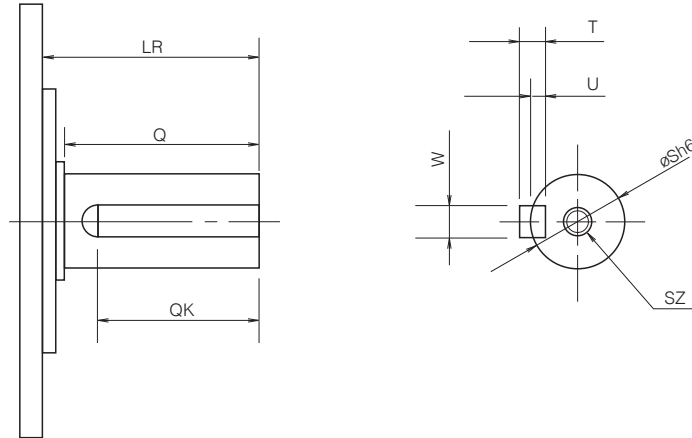
Rated speed	Rated output	Type	Over length	Dimensions(flange)	Mass [kg]
			L	LL	
2000r/min	4.0kW	GYH402C6-T□2-B	390.4	311.4	23.0
	5.5kW	GYH552C6-T□2-B	419.4	340.4	30.0
	7.0kW	GYH702C6-T□2-B	467.4	354.4	34.8

(Unit: mm)



External Dimensions

Shaft Extension Specifications (with a key, tapped)



Motor type	LR	Q	QK	S	T	U	W	SZ		
GYS Motor										
GYS500D5-□A□-□ *1	25	-	14	6	2	1.2	2	-		
GYS101D5-□A□-□ *1	30		20	8	3	1.8	3	-		
GYS201D5-□C□-□				14	5	3	5	M5 depth:8		
GYS401D5-□C□-□				16	5	5	M5 depth:8			
GYS751D5-□C2-□	40	40	30	24	7	4	8	M8 depth:16		
GYS102D5-□C2-□	45		32	28	7	4	8	M8 depth:16		
GYS152D5-□C2-□	63		55	45	28	7	4	8	M8 depth:16	
GYS202D5-□C2-□										
GYS302D5-□C2-□										
GYS402D5-□C2-□										
GYS502D5-□C2-□										
GYC Motor										
GYC101D5-□A2-□ *1	25	-	14	8	3	1.8	3	-		
GYC201D5-□C2-□	30		16	14	5	3	5	M5 depth:8		
GYC401D5-□C2-□	40		22	16	7	4	8	M8 depth:16		
GYC751D5-□C2-□	58		50	40	24	7	4	8	M8 depth:16	
GYC102D5-□C2-□										
GYC152D5-□C2-□										
GYC202D5-□C2-□										
GYG Motor 2000r/min										
GYG501C5-□C2-□	55	47	35	19	6	3.5	6	M6 depth:12		
GYG751C5-□C2-□				22	7	4	8	M8 depth:16		
GYG102C5-□C2-□										
GYG152C5-□C2-□										
GYG202C5-□C2-□										
GYG Motor 1500r/min										
GYG501B5-□C2-□	58	40	30	19	6	3.5	6	M6 depth:12		
GYG851B5-□C2-□				22	7	4	8	M8 depth:16		
GYG132B5-□C2-□										
GYB Motor										
GYB201D5-□C2-□	30	-	14	14	5	3	5	M5 depth:8		
GYB401D5-□C2-□	40		22	19	6	3.5	6	M6 depth:10		
GYB751D5-□C2-□										

*1 The shaft extension of the GYS and GYC motors of 0.1kW or less is not tapped.

Model List

Servo amplifier

Specifications							
Model	Control mode	Command interface	Input power supply	Applicable motor	Applicable motor output	Type	
VV type	Position, speed and torque control (With built-in linear positioning function)	General-purpose interface (pulse or analog voltage) (Di/Do) (Modbus-RTU)	Single-phase or 3-phase 200 to 240V	GYS, GYC, GYB motor 3000r/min	0.05kW	RYT500D5-VV2	
					0.1kW	RYT101D5-VV2	
					0.2kW	RYT201D5-VV2	
					0.4kW	RYT401D5-VV2	
					0.75kW	RYT751D5-VV2	
			3-phase 200 to 240V			1.0kW	RYT102D5-VV2
					1.5kW	RYT152D5-VV2	
					2.0kW	RYT202D5-VV2	
					3.0kW	RYT302D5-VV2	
					4.0kW	RYT402D5-VV2	
				5.0kW	RYT502D5-VV2		
			Single-phase 100V	GYS motor 3000r/min	0.05kW	RYT500D5-VV6	
					0.1kW	RYT101D5-VV6	
					0.2kW	RYT201D5-VV6	
				0.375kW	RYT401D5-VV6		
			Single-phase or 3-phase 200 to 240V	GYG motor 2000r/min	0.5kW	RYT501C5-VV2	
					0.75kW	RYT751C5-VV2	
			3-phase 200 to 240V		1.0kW	RYT102C5-VV2	
					1.5kW	RYT152C5-VV2	
				2.0kW	RYT202C5-VV2		
			Single-phase or 3-phase 200 to 240V	GYG motor 1500r/min	0.5kW	RYT501B5-VV2	
3-phase 200 to 240V	0.85kW	RYT851B5-VV2					
	1.3kW	RYT132B5-VV2					
	1.0kW	RYT751D5-□□2					
	1.5kW	RYT102D5-□□2					
	2.0kW	RYT152D5-□□2					
	3.0kW	RYT202D5-□□2					
	4.0kW	RYT302D5-□□2					
	5.5kW	RYT402D5-□□2					
	7.0kW	RYT502D5-□□2					
VS type	Position, speed and torque control	High speed serial bus (SX bus)	Single-phase or 3-phase 200 to 240V	GYS, GYC, GYB motor 3000r/min	0.05kW	RYT500D5-VS2	
					0.1kW	RYT101D5-VS2	
					0.2kW	RYT201D5-VS2	
					0.4kW	RYT401D5-VS2	
					0.75kW	RYT751D5-VS2	
			3-phase 200 to 240V			1.0kW	RYT102D5-VS2
					1.5kW	RYT152D5-VS2	
					2.0kW	RYT202D5-VS2	
					3.0kW	RYT302D5-VS2	
					4.0kW	RYT402D5-VS2	
				5.0kW	RYT502D5-VS2		
			Single-phase 100V	GYS motor 3000r/min	0.05kW	RYT500D5-VS6	
					0.1kW	RYT101D5-VS6	
					0.2kW	RYT201D5-VS6	
				0.375kW	RYT401D5-VS6		
			Single-phase or 3-phase 200 to 240V	GYG motor 2000r/min	0.5kW	RYT501C5-VS2	
					0.75kW	RYT751C5-VS2	
			3-phase 200 to 240V		1.0kW	RYT102C5-VS2	
					1.5kW	RYT152C5-VS2	
				2.0kW	RYT202C5-VS2		
			Single-phase or 3-phase 200 to 240V	GYG motor 1500r/min	0.5kW	RYT501B5-VS2	
3-phase 200 to 240V	0.85kW	RYT851B5-VS2					
	1.3kW	RYT132B5-VS2					
	1.0kW	RYT751D5-□□2					
	1.5kW	RYT102D5-□□2					
	2.0kW	RYT152D5-□□2					
	3.0kW	RYT202D5-□□2					
	4.0kW	RYT302D5-□□2					
	5.5kW	RYT402D5-□□2					
	7.0kW	RYT502D5-□□2					

Model List

Servo amplifier

Specifications						
Model	Control mode	Command interface	Input power supply	Applicable motor	Applicable motor output	Type
LS type	Position control (With built-in linear positioning function)	High speed serial bus (SX bus)	Single-phase or 3-phase 200 to 240V	GYS, GYC, GYB motor 3000r/min	0.05kW	RYT500D5-LS2
					0.1kW	RYT101D5-LS2
					0.2kW	RYT201D5-LS2
					0.4kW	RYT401D5-LS2
					0.75kW	RYT751D5-LS2
			3-phase 200 to 240V		1.0kW	RYT102D5-LS2
					1.5kW	RYT152D5-LS2
					2.0kW	RYT202D5-LS2
					3.0kW	RYT302D5-LS2
					4.0kW	RYT402D5-LS2
				5.0kW	RYT502D5-LS2	
			Single-phase 100V	GYS motor 3000r/min	0.05kW	RYT500D5-LS6
					0.1kW	RYT101D5-LS6
					0.2kW	RYT201D5-LS6
				0.375kW	RYT401D5-LS6	
			Single-phase or 3-phase 200 to 240V	GYG motor 2000r/min	0.5kW	RYT501C5-LS2
					0.75kW	RYT751C5-LS2
			3-phase 200 to 240V		1.0kW	RYT102C5-LS2
					1.5kW	RYT152C5-LS2
				2.0kW	RYT202C5-LS2	
			Single-phase or 3-phase 200 to 240V	GYG motor 1500r/min	0.5kW	RYT501B5-LS2
3-phase 200 to 240V	0.85kW	RYT851B5-LS2				
		1.3kW	RYT132B5-LS2			
	GYH motor 2000r/min	1.0kW	RYT751D5-□□2			
		1.5kW	RYT102D5-□□2			
		2.0kW	RYT152D5-□□2			
		3.0kW	RYT202D5-□□2			
		4.0kW	RYT302D5-□□2			
		5.5kW	RYT402D5-□□2			
	7.0kW	RYT502D5-□□2				

Model List

Servomotor

Specifications								
Model	Voltage	Rated speed	Oil seal/shaft	Encoder	Brake	Rated output	Type	
GYS motor (ultra low inertia)	200V	3000r/min	Without an oil seal and a key (*1)	18-bit ABS	Without a brake	0.05kW	GYS500D5-HB2	
						0.1kW	GYS101D5-HB2	
						0.2kW	GYS201D5-HB2	
						0.4kW	GYS401D5-HB2	
						0.75kW	GYS751D5-HB2	
						1.0kW	GYS102D5-HB2	
						1.5kW	GYS152D5-HB2	
						2.0kW	GYS202D5-HB2	
						3.0kW	GYS302D5-HB2	
						4.0kW	GYS402D5-HB2	
						5.0kW	GYS502D5-HB2	
						With a brake	0.05kW	GYS500D5-HB2-B
				0.1kW	GYS101D5-HB2-B			
				0.2kW	GYS201D5-HB2-B			
				0.4kW	GYS401D5-HB2-B			
				0.75kW	GYS751D5-HB2-B			
				1.0kW	GYS102D5-HB2-B			
				1.5kW	GYS152D5-HB2-B			
				2.0kW	GYS202D5-HB2-B			
				3.0kW	GYS302D5-HB2-B			
				4.0kW	GYS402D5-HB2-B			
				5.0kW	GYS502D5-HB2-B			
				20-bit INC	Without a brake		0.05kW	GYS500D5-RB2
						0.1kW	GYS101D5-RB2	
	0.2kW	GYS201D5-RB2						
	0.4kW	GYS401D5-RB2						
	0.75kW	GYS751D5-RB2						
	1.0kW	GYS102D5-RB2						
	1.5kW	GYS152D5-RB2						
	2.0kW	GYS202D5-RB2						
	3.0kW	GYS302D5-RB2						
	4.0kW	GYS402D5-RB2						
	5.0kW	GYS502D5-RB2						
	With a brake	0.05kW	GYS500D5-RB2-B					
		0.1kW	GYS101D5-RB2-B					
		0.2kW	GYS201D5-RB2-B					
		0.4kW	GYS401D5-RB2-B					
		0.75kW	GYS751D5-RB2-B					
		1.0kW	GYS102D5-RB2-B					
		1.5kW	GYS152D5-RB2-B					
		2.0kW	GYS202D5-RB2-B					
		3.0kW	GYS302D5-RB2-B					
		4.0kW	GYS402D5-RB2-B					
		5.0kW	GYS502D5-RB2-B					
		100V	3000r/min		Without an oil seal and a key (*1)	18-bit ABS	Without a brake	0.05kW
	0.1kW							GYS101D5-HB6
	0.2kW			GYS201D5-HB6				
	0.375kW			GYS401D5-HB6				
With a brake	0.05kW			GYS500D5-HB6-B				
	0.1kW			GYS101D5-HB6-B				
20-bit INC	Without a brake		0.05kW	GYS500D5-RB6				
			0.1kW	GYS101D5-RB6				
			0.2kW	GYS201D5-RB6				
	With a brake		0.375kW	GYS401D5-RB6				
			0.05kW	GYS500D5-RB6-B				
			0.1kW	GYS101D5-RB6-B				
0.2kW	GYS201D5-RB6-B							
0.375kW	GYS401D5-RB6-B							

*1: The motor with a shaft extension with a key and tapped is available as a semi-standard item. (See page 38 for shaft extension specifications.)
The other specifications are handled as a made-to-order item.

Model List

Servomotor

Specifications							Type					
Model	Voltage	Rated speed	Oil seal/shaft	Encoder	Brake	Rated output	Type					
GYC motor (low inertia)	200V	3000r/min	Without an oil seal and a key (*1)	18-bit ABS	Without a brake	0.1kW	GYC101D5-HB2					
						0.2kW	GYC201D5-HB2					
						0.4kW	GYC401D5-HB2					
						0.75kW	GYC751D5-HB2					
						1.0kW	GYC102D5-HB2					
						1.5kW	GYC152D5-HB2					
					2.0kW	GYC202D5-HB2						
					With a brake	0.1kW	GYC101D5-HB2-B					
						0.2kW	GYC201D5-HB2-B					
						0.4kW	GYC401D5-HB2-B					
						0.75kW	GYC751D5-HB2-B					
						1.0kW	GYC102D5-HB2-B					
				1.5kW		GYC152D5-HB2-B						
				20-bit INC	Without a brake	0.1kW	GYC101D5-RB2					
						0.2kW	GYC201D5-RB2					
						0.4kW	GYC401D5-RB2					
						0.75kW	GYC751D5-RB2					
						1.0kW	GYC102D5-RB2					
						1.5kW	GYC152D5-RB2					
					2.0kW	GYC202D5-RB2						
					With a brake	0.1kW	GYC101D5-RB2-B					
						0.2kW	GYC201D5-RB2-B					
						0.4kW	GYC401D5-RB2-B					
						0.75kW	GYC751D5-RB2-B					
1.0kW	GYC102D5-RB2-B											
1.5kW	GYC152D5-RB2-B											
2.0kW	GYC202D5-RB2-B											
GYG motor (medium inertia)	200V	2000r/min	Without an oil seal and a key (*1)	18-bit ABS	Without a brake	0.5kW	GYG501C5-HB2					
						0.75kW	GYG751C5-HB2					
						1.0kW	GYG102C5-HB2					
						1.5kW	GYG152C5-HB2					
						2.0kW	GYG202C5-HB2					
						0.5kW	GYG501C5-HB2-B					
					0.75kW	GYG751C5-HB2-B						
					1.0kW	GYG102C5-HB2-B						
					1.5kW	GYG152C5-HB2-B						
					2.0kW	GYG202C5-HB2-B						
					20-bit INC	Without a brake	0.5kW	GYG501C5-RB2				
							0.75kW	GYG751C5-RB2				
				1.0kW			GYG102C5-RB2					
				1.5kW			GYG152C5-RB2					
				2.0kW			GYG202C5-RB2					
				0.5kW			GYG501C5-RB2-B					
				0.75kW		GYG751C5-RB2-B						
				1.0kW		GYG102C5-RB2-B						
				1.5kW		GYG152C5-RB2-B						
				2.0kW		GYG202C5-RB2-B						
				GYG motor (medium inertia)		200V	1500r/min	Without an oil seal and a key (*1)	18-bit ABS	Without a brake	0.5kW	GYG501B5-HB2
											0.85kW	GYG851B5-HB2
					1.3kW						GYG132B5-HB2	
					0.5kW						GYG501B5-HB2-B	
0.85kW	GYG851B5-HB2-B											
1.3kW	GYG132B5-HB2-B											
20-bit INC	Without a brake	0.5kW	GYG501B5-RB2									
		0.85kW	GYG851B5-RB2									
		1.3kW	GYG132B5-RB2									
		0.5kW	GYG501B5-RB2-B									
		0.85kW	GYG851B5-RB2-B									
		1.3kW	GYG132B5-RB2-B									
	GYB motor (medium inertia)	200V	3000r/min		Without an oil seal and a key (*1)				18-bit ABS	Without a brake	0.2kW	GYB201D5-HB2
											0.4kW	GYB401D5-HB2
											0.75kW	GYB751D5-HB2
											0.2kW	GYB201D5-HB2-B
											0.4kW	GYB401D5-HB2-B
											0.75kW	GYB751D5-HB2-B
20-bit INC										Without a brake	0.2kW	GYB201D5-RB2
											0.4kW	GYB401D5-RB2
											0.75kW	GYB751D5-RB2
											0.2kW	GYB201D5-RB2-B
											0.4kW	GYB401D5-RB2-B
											0.75kW	GYB751D5-RB2-B

*1: The motor with a shaft extension with a key and tapped is available as a semi-standard item. (See page 38 for shaft extension specifications.)
The other specifications are handled as a made-to-order item.

Model List

Servomotor

Specifications							Type
Model	Voltage	Rated speed	Oil seal/shaft	Encoder	Brake	Rated output	Type
GYH motor (middle inertia)	200V	2000r/min	without oil seal / with key, tapped	17bit INC	Without a brake	1.0kW	GYH102C6-T□□2
						1.5kW	GYH152C6-T□□2
						2.0kW	GYH202C6-T□□2
						3.0kW	GYH302C6-T□□2
						4.0kW	GYH402C6-T□□2
						5.5kW	GYH552C6-T□□2
						7.0kW	GYH702C6-T□□2
					With a brake	1.0kW	GYH102C6-T□□2-B
						1.5kW	GYH152C6-T□□2-B
						2.0kW	GYH202C6-T□□2-B
						3.0kW	GYH302C6-T□□2-B
						4.0kW	GYH402C6-T□□2-B
						5.5kW	GYH552C6-T□□2-B
						7.0kW	GYH702C6-T□□2-B

Compatibility table

Amplifier	Motor
RYT751D5-□□□2	GYH102C6-T□□2
RYT102D5-□□□2	GYH152C6-T□□2
RYT152D5-□□□2	GYH202C6-T□□2
RYT202D5-□□□2	GYH302C6-T□□2
RYT302D5-□□□2	GYH402C6-T□□2
RYT402D5-□□□2	GYH552C6-T□□2
RYT502D5-□□□2	GYH702C6-T□□2

Model List

Option

Connector and cable

Name		Specifications	Type	
For main circuit of amplifier	Power supply connector (for amplifier control power and main power supply)	0.05 to 1.5kW (to 1.0kW with GYG)	1 set	
	DC circuit connector (wiring of external regenerative resistor, DC reactor, DC link circuit) *1	0.05 to 1.5kW (to 1.0kW with GYG)	1 set	
For sequence I/O (between host and amplifier)	Motor power connector (wiring of main motor power)	0.05 to 1.5kW (to 1.0kW with GYG)	1 set	
	Sequence I/O cable	All capacities	3m (bare wires on one side)	
For encoder (between amplifier and motor)	Sequence I/O connector kit *4	Amplifier side : All capacities	1 set	
		Encoder cable	3000r/min for 0.05 to 0.75kW	
			2m (connector at both ends)	
			5m (connector at both ends)	
		10m (connector at both ends)		
		20m (connector at both ends)		
		3000r/min for 1.0 to 5.0kW	5m (connector at both ends)	
		2000r/min for 0.5 to 2.0kW	10m (connector at both ends)	
Encoder connector kit *4		1500r/min for 0.5 to 1.3kW	20m (connector at both ends)	
	Amplifier side : All capacities		1 set	
	Motor side : 0.05 to 0.75kW		1 set	
	Motor side : 0.5 to 5.0kW		1 set	
For motor power (between amplifier and motor)	Motor power cable	For main motor power *2	GYS, GYC, GYB : 0.05 to 0.75kW	
				2m (bare wires on one side)
				5m (bare wires on one side)
		For brake power *3	GYS, GYC, GYB : 0.05 to 0.75kW	
				2m (bare wires on one side)
				5m (bare wires on one side)
	Motor power connector kit	For main motor power *4	Motor side : GYS, GYC, GYB 0.05 to 0.75kW	1 set
			Motor side : GYS, GYC, GYB 0.05 to 0.75kW	1 set
		For main motor power *4	Motor side : GYS 1.0 to 2.0kW	1 set
			GYG 0.5 to 2.0kW	1 set
		For main motor power + brake power *4	Motor side : GYS 3.0 to 5.0kW	1 set
			GYC 1.0 to 2.0kW	1 set
For SX bus	SX bus cable	For VS and LS type servo amplifiers	0.3m (connector at both ends)	
			0.6m (connector at both ends)	
			0.8m (connector at both ends)	
			2m (connector at both ends)	
			5m (connector at both ends)	
			10m (connector at both ends)	
			15m (connector at both ends)	
			25m (connector at both ends)	

*1: One connector is included in the accessory of the main body of the servo amplifier.

*2: Use this cable with motor power connector (on amplifier side) WSK-M03P-E.

*3: Use this cable as a brake cable of the motor equipped with a brake.

*4: Use this connector when the customer fabricates a cable at arbitrary length.

Common options

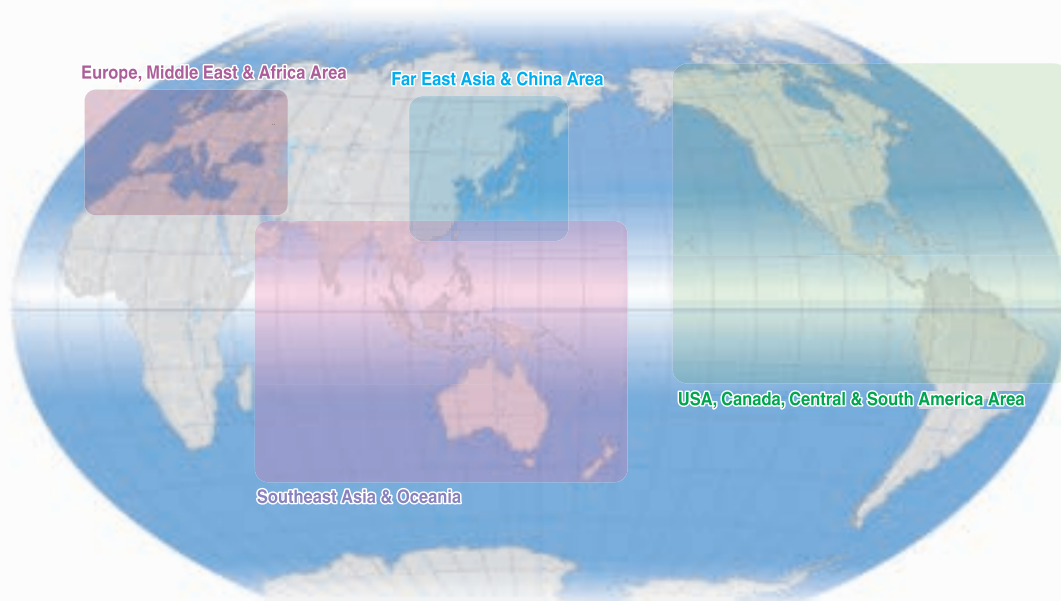
Specifications		Type
ABS backup battery	Set of battery and case (*With case)	1 set
	Battery (*Discrete replacement battery)	1 piece
External regenerative resistor	200V	3000r/min for 0.05 to 0.4kW
		3000r/min for 0.75 to 1.5kW, 2000r/min for 0.5 to 1.0kW, 1500r/min for 0.5 to 0.85kW
		3000r/min for 2.0 to 3.0kW, 2000r/min 1.5 to 2.0kW, 1500r/min 1.3kW
		3000r/min for 4.0 to 5.0kW
	100V	3000r/min for 0.05 to 0.375kW
For PC loader connection	RS-232C - RS-485 conversion adaptor	—
	Cable	For connection of RS-485 port of VV type servo amplifier *1 2m (connector at both ends)
Servo operator *2		WSP-51

*1: Prepare a marketed USB cable (A-B type) for the USB port.

*2: Use a commercially-available USB cable (USB-A : USB-B, or USB-A : mini-B) when connecting the servo operator to PC. Use a commercially-available LAN cable when connecting the servo operation to the servo amplifier.

This servo operator can only be used with VV type amplifier.

Service Network



Fuji FA Service Centers

● Far East Asia

Overseas Service Center
Gate City Ohsaki, East Tower
11-2,Osaki 1-Chome,Shinagawa-ku
Tokyo,141-0032,Japan
Tel: +81-3-5435-7059
Fax: +81-3-5435-7447

■ Korea

● CANA ELECTRIC CO.,LTD.
501 Ewha Bldg., 8-21, Yangjae-Dong,
Seocho-Gu, Seoul, 137-887, Korea
Tel:+82-2-3462-0670
Fax:+82-2-3462-0678

■ Taiwan

● ELTA ELECTRICAL CO.,LTD.
4F, No.32, Sec.3, Cheng-Teh Road, Taipei, Taiwan
Tel:+886-2-2597-6458
Fax:+886-2-2595-4571

● FULL KEY SYSTEM CO., LTD.
12F, No.111-8, Hsing-Teh Road, San-Chung City, Taipei, Taiwan
Tel:+886-2-2995-2008
Fax:+886-2-2995-2028

● Europe,Middle East & Africa Area

EU Service Center
Goethering 58,63067 Offenbach/Main Germany
Tel: +49-69-66-90-29-0
Fax: +49-69-66-90-29-58

● China Area

FUJI ELECTRIC (CHINA) CO.,LTD.
Floor 28, International Corporate City,
No 3000 North Zhongshan Road
Shanghai China (P.C.200063)
Tel: +86-21-5496-1177
Fax: +86-21-6228-0350

● Southeast Asia & Oceania

Southeast Asia & Oceania Service Center
171 Chin Swee Road, #12-01 San Centre,
Singapore 169877
Tel: +65-6533-0014
Fax: +65-6533-0021

● USA,Canada,Cental & South America Area

USA Service Center
47520 Westinghouse Drive
Fremont,CA 94539,USA
Tel: +1-510-440-1060
Fax: +1-510-440-1063

Please access the URL below for further details:
http://www.fujielectric.co.jp/products/provide_data/drive/network/world/world-top.html

■ To all our customers who purchase Fuji Electric products included in this catalog:

Please take the following items into consideration when placing your order.

When requesting an estimate and placing your orders for the products included in these materials, please be aware that any items such as specifications which are not specifically mentioned in the contract, catalog, specifications or other materials will be as mentioned below.

In addition, the products included in these materials are limited in the use they are put to and the place where they can be used, etc., and may require periodic inspection. Please confirm these points with your sales representative or directly with this company.

Furthermore, regarding purchased products and delivered products, we request that you take adequate consideration of the necessity of rapid receiving inspections and of product management and maintenance even before receiving your products.

1. Free of Charge Warranty Period and Warranty Range

1-1 Free of charge warranty period

- (1) The product warranty period is "1 year from the date of purchase" (both inside and outside Japan) or 18 months (inside Japan) 24 months (outside Japan) from the manufacturing time printed on the name plate, whichever comes first.
- (2) However, in cases where the use environment, conditions of use, use frequency and times used, etc., have an effect on product life, this warranty period may not apply.
- (3) Furthermore, the warranty period for parts restored by Fuji Electric's Service Department is "6 months from the date that repairs are completed."

1-2 Warranty range

- (1) In the event that breakdown occurs during the product's warranty period which is the responsibility of Fuji Electric, Fuji Electric will replace or repair the part of the product that has broken down free of charge at the place where the product was purchased or where it was delivered. However, if the following cases are applicable, the terms of this warranty may not apply.
 - 1) The breakdown was caused by inappropriate conditions, environment, handling or use methods, etc. which are not specified in the catalog, operation manual, specifications or other relevant documents.
 - 2) The breakdown was caused by the product other than the purchased or delivered Fuji's product.
 - 3) The breakdown was caused by the product other than Fuji's product, such as the customer's equipment or software design, etc.
 - 4) Concerning the Fuji's programmable products, the breakdown was caused by a program other than a program supplied by this company, or the results from using such a program.
 - 5) The breakdown was caused by modifications or repairs affected by a party other than Fuji Electric.
 - 6) The breakdown was caused by improper maintenance or replacement using consumables, etc. specified in the operation manual or catalog, etc.
 - 7) The breakdown was caused by a chemical or technical problem that was not foreseen when making practical application of the product at the time it was purchased or delivered.
 - 8) The product was not used in the manner the product was originally intended to be used.
 - 9) The breakdown was caused by a reason which is not this company's responsibility, such as lightning or other disaster.
- (2) Furthermore, the warranty specified herein shall be limited to the purchased or delivered product alone.
- (3) The upper limit for the warranty range shall be as specified in item (1) above and any damages (damage to or loss of machinery or equipment, or lost profits from the same, etc.) consequent to or resulting from breakdown of the purchased or delivered product shall be excluded from coverage by this warranty.

1-3. Trouble diagnosis

As a rule, the customer is requested to carry out a preliminary trouble diagnosis. However, at the customer's request, this company or its service network can perform the trouble diagnosis on a chargeable basis. In this case, the customer is asked to assume the burden for charges levied in accordance with this company's fee schedule.

2. Exclusion of Liability for Loss of Opportunity, etc.

Regardless of whether a breakdown occurs during or after the free of charge warranty period, this company shall not be liable for any loss of opportunity, loss of profits, or damages arising from special circumstances, secondary damages, accident compensation to another company, or damages to products other than this company's products, whether foreseen or not by this company, which this company is not be responsible for causing.

3. Repair Period after Production Stop, Spare Parts Supply Period (Holding Period)

Concerning models (products) which have gone out of production, this company will perform repairs for a period of 7 years after production stop, counting from the month and year when the production stop occurs. In addition, we will continue to supply the spare parts required for repairs for a period of 7 years, counting from the month and year when the production stop occurs. However, if it is estimated that the life cycle of certain electronic and other parts is short and it will be difficult to procure or produce those parts, there may be cases where it is difficult to provide repairs or supply spare parts even within this 7-year period. For details, please confirm at our company's business office or our service office.

4. Transfer Rights

In the case of standard products which do not include settings or adjustments in an application program, the products shall be transported to and transferred to the customer and this company shall not be responsible for local adjustments or trial operation.

5. Service Contents

The cost of purchased and delivered products does not include the cost of dispatching engineers or service costs. Depending on the request, these can be discussed separately.

6. Applicable Scope of Service

Above contents shall be assumed to apply to transactions and use of the country where you purchased the products. Consult the local supplier or Fuji for the detail separately.

MEMO



SAFETY PRECAUTIONS

1. This catalog is intended for use in selecting required servo systems. Before actually using these products, carefully read their instruction manuals and understand their correct usage.
2. Products described in this catalog are neither designed nor manufactured for combined use with a system or equipment that will affect human lives.
If you are considering using these products for special purposes, such as atomic energy control, aerospace, medical application, or traffic control, please consult our sales office.
3. If you use our product with equipment that is expected to cause serious injury or damage to your property in case of failure, be sure to take appropriate safety measures for the equipment.

 Fuji Electric Co., Ltd.

Gate City Ohsaki, East Tower, 11-2,
Osaki 1-chome, Shinagawa-ku,
Tokyo 141-0032, Japan
Phone: +81-3-5435-7057 Fax: +81-3-5435-7420
URL: <http://www.fujielectric.com/>